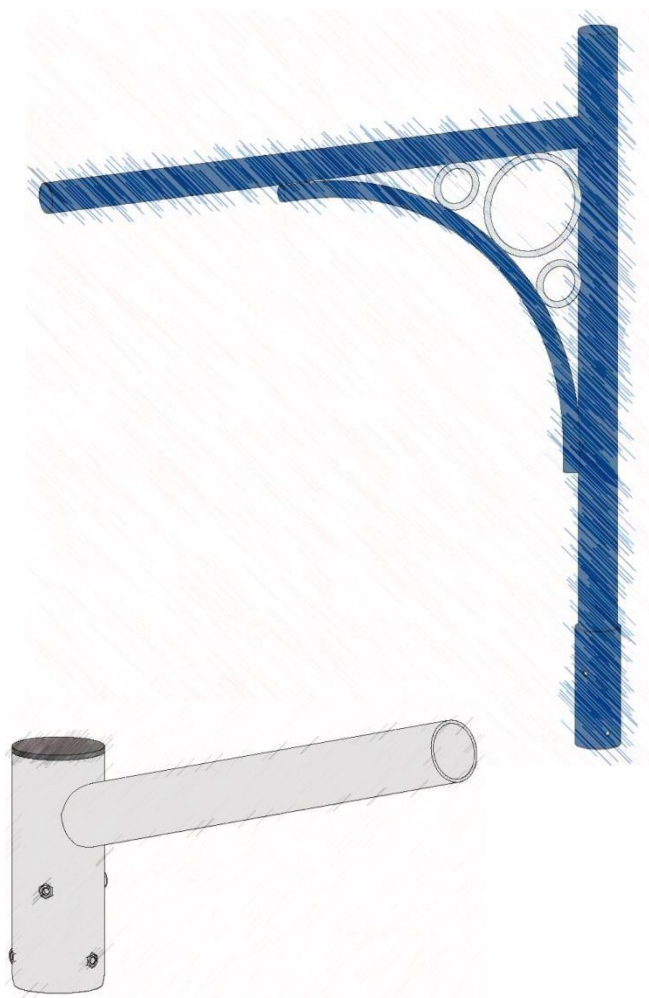


# Sortiment 2020



## Výložníky



EU-poles s.r.o.  
Hájová 15, 691 41 Břeclav  
IČ: 28337620, DIČ: CZ28337620

## Rovný výložník

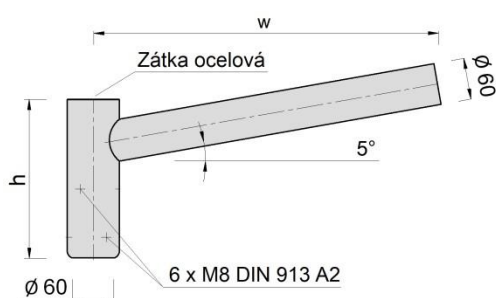
Vyrobeno dle normy EN 1090

**Materiál:** ocelová trubka S235

**P. úprava:** žárový zinek, dle ČSN EN 1461

**Vrchol stožáru:**  $\varnothing 60\text{mm}$

**Montáž:** 6 x M8x10 DIN 913 A2



RV 60-1-.....



RV 60-2-.....R(60°)



RV 60-2-.....S(90°)



RV 60-2-.....T(120°)



RV 60-2-.....U(180°)



RV 60-3-.....S(90°)



RV 60-3-.....T(120°)



RV 60-4-.....

## RV 60

Objednací číslo	Typ	w (mm)	h (mm)	Hmotnost (kg)	Celková plocha (m <sup>2</sup> )
9116051300	RV 60-1-300	300	250	3,0	0,12
9116052300R	RV 60-2-300R	300	250	4,0	0,17
9116052300S	RV 60-2-300S	300	250	4,0	0,17
9116052300T	RV 60-2-300T	300	250	4,0	0,17
9116052300U	RV 60-2-300U	300	250	4,0	0,17
9116053300S	RV 60-3-300S	300	250	5,5	0,23
9116053300T	RV 60-3-300T	300	250	5,5	0,23
9116054300	RV 60-4-300	300	250	7,0	0,28
9116051500	RV 60-1-500	500	250	4,0	0,15
9116052500R	RV 60-2-500R	500	250	6,0	0,25
9116052500S	RV 60-2-500S	500	250	6,0	0,25
9116052500T	RV 60-2-500T	500	250	6,0	0,25
9116052500U	RV 60-2-500U	500	250	6,0	0,25
9116053500S	RV 60-3-500S	500	250	8,5	0,34
9116053500T	RV 60-3-500T	500	250	8,5	0,34
9116054500	RV 60-4-500	500	250	11,0	0,43
9116051750	RV 60-1-750	750	250	5,0	0,20
9116052750R	RV 60-2-750R	750	250	8,0	0,34
9116052750S	RV 60-2-750S	750	250	8,0	0,34
9116052750T	RV 60-2-750T	750	250	8,0	0,34
9116052750U	RV 60-2-750U	750	250	8,0	0,34
9116053750S	RV 60-3-750S	750	250	11,5	0,48
9116053750T	RV 60-3-750T	750	250	11,5	0,48
9116054750	RV 60-4-750	750	250	15,0	0,62
91160511000	RV 60-1-1000	1000	250	6,0	0,24
91160521000R	RV 60-2-1000R	1000	250	10,5	0,43
91160521000S	RV 60-2-1000S	1000	250	10,5	0,43
91160521000T	RV 60-2-1000T	1000	250	10,5	0,43
91160521000U	RV 60-2-1000U	1000	250	10,5	0,43
91160531000S	RV 60-3-1000S	1000	250	15,0	0,62
91160531000T	RV 60-3-1000T	1000	250	15,0	0,62
91160541000	RV 60-4-1000	1000	250	19,5	0,81

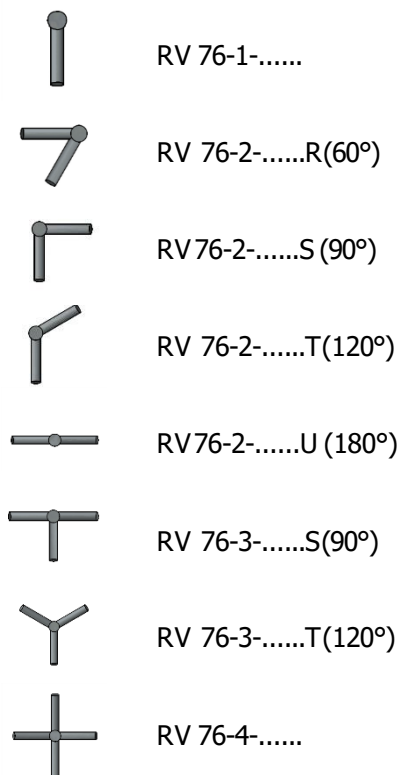
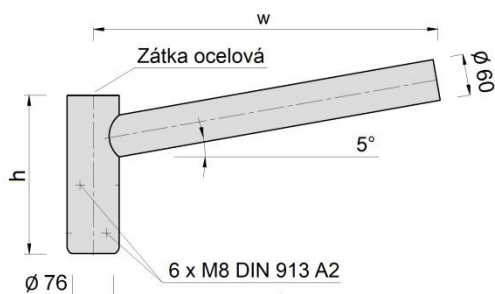
## Rovný výložník

Vyrobeno dle normy EN 1090

**Materiál:** ocelová trubka S235  
**P. úprava:** žárový zinek, dle ČSN EN 1461  
**Vrchol stožáru:**  $\varnothing 76\text{mm}$   
**Montáž:** 6 x M8x10 DIN 913 A2

### RV 76

Objednací číslo	Typ	w (mm)	h (mm)	Hmotnost (kg)	Celková plocha (m <sup>2</sup> )
9117651300	RV 76-1-300	300	250	3,0	0,12
9117652300R	RV 76-2-300 R	300	250	4,0	0,18
9117652300S	RV 76-2-300 S	300	250	4,0	0,18
9117652300T	RV 76-2-300 T	300	250	4,0	0,18
9117652300U	RV 76-2-300 U	300	250	4,0	0,18
9117653300S	RV 76-3-300 S	300	250	5,5	0,24
9117653300T	RV 76-3-300 T	300	250	5,5	0,24
9117654300	RV 76-4-300	300	250	7,0	0,29
9117651500	RV 76-1-500	500	250	4,0	0,16
9117652500R	RV 76-2-500 R	500	250	6,0	0,25
9117652500S	RV 76-2-500 S	500	250	6,0	0,25
9117652500T	RV 76-2-500 T	500	250	6,0	0,25
9117652500U	RV 76-2-500 U	500	250	6,0	0,25
9117653500S	RV 76-3-500 S	500	250	8,0	0,35
9117653500T	RV 76-3-500 T	500	250	8,0	0,35
9117654500	RV 76-4-500	500	250	10,5	0,45
9117651750	RV 76-1-750	750	250	5,0	0,21
9117652750R	RV 76-2-750 R	750	250	8,0	0,35
9117652750S	RV 76-2-750 S	750	250	8,0	0,35
9117652750T	RV 76-2-750 T	750	250	8,0	0,35
9117652750U	RV 76-2-750 U	750	250	8,0	0,35
9117653750S	RV 76-3-750 S	750	250	11,5	0,49
9117653750T	RV 76-3-750 T	750	250	11,5	0,49
9117654750	RV 76-4-750	750	250	15,0	0,63
91176511000	RV 76-1-1000	1000	250	6,0	0,26
91176521000R	RV 76-2-1000 R	1000	250	10,5	0,45
91176521000S	RV 76-2-1000 S	1000	250	10,5	0,45
91176521000T	RV 76-2-1000 T	1000	250	10,5	0,45
91176521000U	RV 76-2-1000 U	1000	250	10,5	0,45
91176531000S	RV 76-3-1000 S	1000	250	15,0	0,63
91176531000T	RV 76-3-1000 T	1000	250	15,0	0,63
91176541000	RV 76-4-1000	1000	250	19,5	0,82
91176511250	RV 76-1-1250	1250	250	7,0	0,30
91176521250R	RV 76-2-1250 R	1250	250	13,0	0,54
91176521250S	RV 76-2-1250 S	1250	250	13,0	0,54
91176521250T	RV 76-2-1250 T	1250	250	13,0	0,54
91176521250U	RV 76-2-1250 U	1250	250	13,0	0,54
91176531250S	RV 76-3-1250 S	1250	250	18,5	0,76
91176531250T	RV 76-3-1250 T	1250	250	18,5	0,76
91176541250	RV 76-4-1250	1250	250	24,0	1,01
91176511500	RV 76-1-1500	1500	250	10,0	0,35
91176521500R	RV 76-2-1500 R	1500	250	18,0	0,63
91176521500S	RV 76-2-1500 S	1500	250	18,0	0,63
91176521500T	RV 76-2-1500 T	1500	250	18,0	0,63
91176521500U	RV 76-2-1500 U	1500	250	18,0	0,63
91176531500S	RV 76-3-1500 S	1500	250	26,0	0,92
91176531500T	RV 76-3-1500 T	1500	250	26,0	0,92
91176541500	RV 76-4-1500	1500	250	34,0	1,20



## Rovný výložník

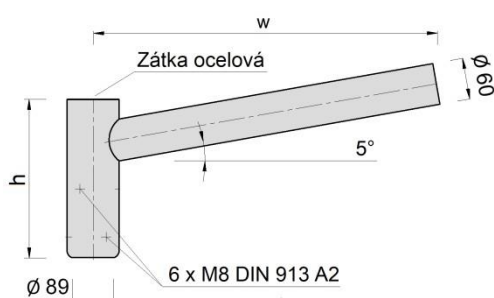
Vyrobeno dle normy EN 1090

**Materiál:** ocelová trubka S235

**P. úprava:** žárový zinek, dle ČSN EN 1461

**Vrchol stožáru:**  $\varnothing 89\text{mm}$

**Montáž:** 6 x M8x12 DIN 913 A2



RV 89-1-.....



RV 89-2-.....R(60°)



RV 89-2-.....S(90°)



RV 89-2-.....T(120°)



RV 89-2-.....U(180°)



RV 89-3-.....S(90°)



RV 89-3-.....T(120°)



RV 89-4-.....

## RV 89

Objednací číslo	Typ	w (mm)	h (mm)	Hmotnost (kg)	Celková plocha (m <sup>2</sup> )
9118951300	RV 89-1-300	300	300	4,0	0,13
9118952300R	RV 89-2-300 R	300	300	5,0	0,19
9118952300S	RV 89-2-300 S	300	300	5,0	0,19
9118952300T	RV 89-2-300 T	300	300	5,0	0,19
9118952300U	RV 89-2-300 U	300	300	5,0	0,19
9118953300S	RV 89-3-300 S	300	300	6,5	0,25
9118953300T	RV 89-3-300 T	300	300	6,5	0,25
9118954300	RV 89-4-300	300	300	8,0	0,30
9118951500	RV 89-1-500	500	300	5,0	0,17
9118952500R	RV 89-2-500 R	500	300	7,0	0,27
9118952500S	RV 89-2-500 S	500	300	7,0	0,27
9118952500T	RV 89-2-500 T	500	300	7,0	0,27
9118952500U	RV 89-2-500 U	500	300	7,0	0,27
9118953500S	RV 89-3-500 S	500	300	9,0	0,36
9118953500T	RV 89-3-500 T	500	300	9,0	0,36
9118954500	RV 89-4-500	500	300	11,0	0,45
9118951750	RV 89-1-750	750	300	6,0	0,22
9118952750R	RV 89-2-750 R	750	300	9,0	0,36
9118952750S	RV 89-2-750 S	750	300	9,0	0,36
9118952750T	RV 89-2-750 T	750	300	9,0	0,36
9118952750U	RV 89-2-750 U	750	300	9,0	0,36
9118953750S	RV 89-3-750 S	750	300	12,5	0,50
9118953750T	RV 89-3-750 T	750	300	12,5	0,50
9118954750	RV 89-4-750	750	300	16,0	0,64
91189511000	RV 89-1-1000	1000	300	7,0	0,27
91189521000R	RV 89-2-1000 R	1000	300	11,0	0,45
91189521000S	RV 89-2-1000 S	1000	300	11,0	0,45
91189521000T	RV 89-2-1000 T	1000	300	11,0	0,45
91189521000U	RV 89-2-1000 U	1000	300	11,0	0,45
91189531000S	RV 89-3-1000 S	1000	300	15,5	0,64
91189531000T	RV 89-3-1000 T	1000	300	15,5	0,64
91189541000	RV 89-4-1000	1000	300	20,0	0,83
91189511500	RV 89-1-1500	1500	300	11,0	0,39
91189521500R	RV 89-2-1500 R	1500	300	19,0	0,67
91189521500S	RV 89-2-1500 S	1500	300	19,0	0,67
91189521500T	RV 89-2-1500 T	1500	300	19,0	0,67
91189521500U	RV 89-2-1500 U	1500	300	19,0	0,67
91189531500S	RV 89-3-1500 S	1500	300	27,0	0,95
91189531500T	RV 89-3-1500 T	1500	300	27,0	0,95
91189541500	RV 89-4-1500	1500	300	34,5	1,23
91189512000	RV 89-1-2000	2000	300	13,5	0,48
91189522000R	RV 89-2-2000 R	2000	300	24,0	0,86
91189522000S	RV 89-2-2000 S	2000	300	24,0	0,86
91189522000T	RV 89-2-2000 T	2000	300	24,0	0,86
91189522000U	RV 89-2-2000 U	2000	300	24,0	0,86
91189532000S	RV 89-3-2000 S	2000	300	35,0	1,23
91189532000T	RV 89-3-2000 T	2000	300	35,0	1,23
91189542000	RV 89-4-2000	2000	300	45,0	1,61
91189512500	RV 89-1-2500	2500	300	16,0	0,57
91189522500R	RV 89-2-2500 R	2500	300	29,0	1,04
91189522500S	RV 89-2-2500 S	2500	300	29,0	1,04
91189522500T	RV 89-2-2500 T	2500	300	29,0	1,04
91189522500U	RV 89-2-2500 U	2500	300	29,0	1,04
91189532500S	RV 89-3-2500 S	2500	300	42,5	1,51
91189532500T	RV 89-3-2500 T	2500	300	42,5	1,51
91189542500	RV 89-4-2500	2500	300	56,0	1,99

## RV 108

Objednáací číslo	Typ	w (mm)	h (mm)	Hmotnost (kg)	Celková plocha (m <sup>2</sup> )
91110851300	RV 108-1-300	300	300	5,0	0,16
91110852300R	RV 108-2-300 R	300	300	6,0	0,22
91110852300S	RV 108-2-300 S	300	300	6,0	0,22
91110852300T	RV 108-2-300 T	300	300	6,0	0,22
91110852300U	RV 108-2-300 U	300	300	6,0	0,22
91110853300S	RV 108-3-300 S	300	300	7,5	0,28
91110853300T	RV 108-3-300 T	300	300	7,5	0,28
91110854300	RV 108-4-300	300	300	9,0	0,33
91110851500	RV 108-1-500	500	300	6,0	0,20
91110852500R	RV 108-2-500 R	500	300	8,0	0,30
91110852500S	RV 108-2-500 S	500	300	8,0	0,30
91110852500T	RV 108-2-500 T	500	300	8,0	0,30
91110852500U	RV 108-2-500 U	500	300	8,0	0,30
91110853500S	RV 108-3-500 S	500	300	10,0	0,39
91110853500T	RV 108-3-500 T	500	300	10,0	0,39
91110854500	RV 108-4-500	500	300	12,0	0,48
91110851750	RV 108-1-750	750	300	7,0	0,25
91110852750R	RV 108-2-750 R	750	300	10,0	0,39
91110852750S	RV 108-2-750 S	750	300	10,0	0,39
91110852750T	RV 108-2-750 T	750	300	10,0	0,39
91110852750U	RV 108-2-750 U	750	300	10,0	0,39
91110853750S	RV 108-3-750 S	750	300	13,5	0,53
91110853750T	RV 108-3-750 T	750	300	13,5	0,53
91110854750	RV 108-4-750	750	300	17,0	0,67
911108511000	RV 108-1-1000	1000	300	8,0	0,30
911108521000R	RV 108-2-1000 R	1000	300	12,0	0,48
911108521000S	RV 108-2-1000 S	1000	300	12,0	0,48
911108521000T	RV 108-2-1000 T	1000	300	12,0	0,48
911108521000U	RV 108-2-1000 U	1000	300	12,0	0,48
911108531000S	RV 108-3-1000 S	1000	300	16,5	0,67
911108531000T	RV 108-3-1000 T	1000	300	16,5	0,67
911108541000	RV 108-4-1000	1000	300	21,0	0,86
911108511500	RV 108-1-1500	1500	300	12,0	0,42
911108521500R	RV 108-2-1500 R	1500	300	20,0	0,70
911108521500S	RV 108-2-1500 S	1500	300	20,0	0,71
911108521500T	RV 108-2-1500 T	1500	300	20,0	0,70
911108521500U	RV 108-2-1500 U	1500	300	20,0	0,70
911108531500S	RV 108-3-1500 S	1500	300	28,0	0,98
911108531500T	RV 108-3-1500 T	1500	300	28,0	0,98
911108541500	RV 108-4-1500	1500	300	35,5	1,26
911108512000	RV 108-1-2000	2000	300	14,5	0,52
911108522000R	RV 108-2-2000 R	2000	300	25,0	0,89
911108522000S	RV 108-2-2000 S	2000	300	25,0	0,89
911108522000T	RV 108-2-2000 T	2000	300	25,0	0,89
911108522000U	RV 108-2-2000 U	2000	300	25,0	0,89
911108532000S	RV 108-3-2000 S	2000	300	36,0	1,26
911108532000T	RV 108-3-2000 T	2000	300	36,0	1,26
911108542000	RV 108-4-2000	2000	300	46,0	1,64
911108512500	RV 108-1-2500	2500	300	17,0	0,60
911108522500R	RV 108-2-2500 R	2500	300	30,0	1,07
911108522500S	RV 108-2-2500 S	2500	300	30,0	1,07
911108522500T	RV 108-2-2500 T	2500	300	30,0	1,07
911108522500U	RV 108-2-2500 U	2500	300	30,0	1,07
911108532500S	RV 108-3-2500 S	2500	300	43,5	1,54
911108532500T	RV 108-3-2500 T	2500	300	43,5	1,54
911108542500	RV 108-4-2500	2500	300	57,0	2,02

## Rovný výložník

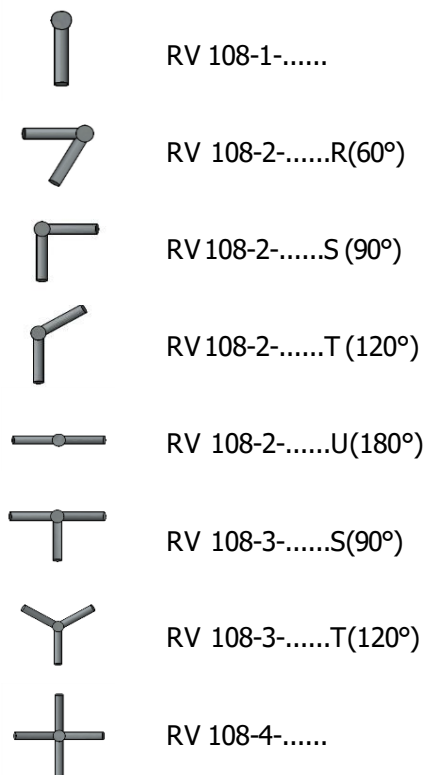
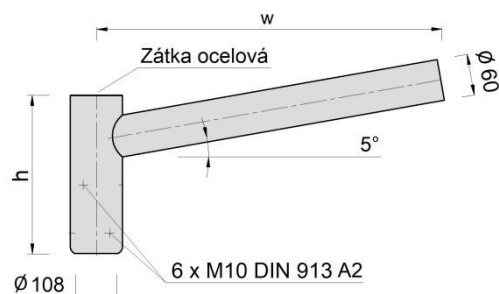
Vyrobeno dle normy EN 1090

**Materiál:** ocelová trubka S235

**P. úprava:** žárový zinek, dle ČSN EN 1461

**Vrchol stožáru:**  $\varnothing 108\text{mm}$

**Montáž:** 6 x M10x14 DIN 913 A2



## Rovný výložník

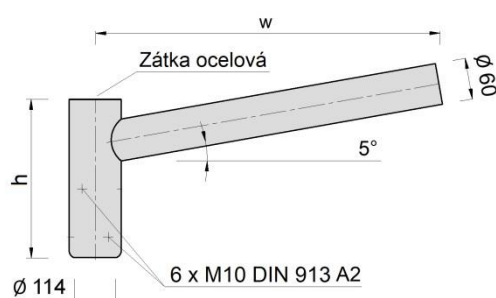
Vyrobena dle normy EN 1090

**Materiál:** ocelová trubka S235

**P. úprava:** žárový zinek, dle ČSN EN 1461

**Vrchol stožáru:**  $\varnothing 114\text{mm}$

**Montáž:** 6 x M10x16 DIN 913 A2



RV 114-1-.....



RV 114-2-.....R(60°)



RV 114-2-.....S(90°)



RV 114-2-.....T(120°)



RV 114-2-.....U(180°)



RV 114-3-.....S(90°)



RV 114-3-.....T(120°)



RV 114-4-.....

## RV 114

Objednáací číslo	Typ	w (mm)	h (mm)	Hmotnost (kg)	Celková plocha (m <sup>2</sup> )
91111451300	RV 114-1-300	300	300	5,5	0,17
91111452300R	RV 114-2-300R	300	300	6,5	0,23
91111452300S	RV 114-2-300S	300	300	6,5	0,23
91111452300T	RV 114-2-300T	300	300	6,5	0,23
91111452300U	RV 114-2-300U	300	300	6,5	0,23
91111453300S	RV 114-3-300S	300	300	8,0	0,28
91111453300T	RV 114-3-300T	300	300	8,0	0,28
91111454300	RV 114-4-300	300	300	9,5	0,34
91111451500	RV 114-1-500	500	300	6,5	0,20
91111452500R	RV 114-2-500R	500	300	8,5	0,31
91111452500S	RV 114-2-500S	500	300	8,5	0,31
91111452500T	RV 114-2-500T	500	300	8,5	0,31
91111452500U	RV 114-2-500U	500	300	8,5	0,31
91111453500S	RV 114-3-500S	500	300	10,5	0,39
91111453500T	RV 114-3-500T	500	300	10,5	0,39
91111454500	RV 114-4-500	500	300	12,5	0,49
91111451750	RV 114-1-750	750	300	7,5	0,26
91111452750R	RV 114-2-750R	750	300	10,5	0,40
91111452750S	RV 114-2-750S	750	300	10,5	0,40
91111452750T	RV 114-2-750T	750	300	10,5	0,40
91111452750U	RV 114-2-750U	750	300	10,5	0,40
91111453750S	RV 114-3-750S	750	300	14,0	0,54
91111453750T	RV 114-3-750T	750	300	14,0	0,54
91111454750	RV 114-4-750	750	300	17,5	0,68
911114511000	RV 114-1-1000	1000	300	8,5	0,31
911114521000R	RV 114-2-1000R	1000	300	12,5	0,49
911114521000S	RV 114-2-1000S	1000	300	12,5	0,49
911114521000T	RV 114-2-1000T	1000	300	12,5	0,49
911114521000U	RV 114-2-1000U	1000	300	12,5	0,49
911114531000S	RV 114-3-1000S	1000	300	17,0	0,68
911114531000T	RV 114-3-1000T	1000	300	17,0	0,68
911114541000	RV 114-4-1000	1000	300	21,5	0,87
911114511500	RV 114-1-1500	1500	300	12,5	0,43
911114521500R	RV 114-2-1500R	1500	300	20,5	0,71
911114521500S	RV 114-2-1500S	1500	300	20,5	0,71
911114521500T	RV 114-2-1500T	1500	300	20,5	0,71
911114521500U	RV 114-2-1500U	1500	300	20,5	0,71
911114531500S	RV 114-3-1500S	1500	300	28,5	0,99
911114531500T	RV 114-3-1500T	1500	300	28,5	0,99
911114541500	RV 114-4-1500	1500	300	36,0	1,28
911114512000	RV 114-1-2000	2000	300	15,0	0,53
911114522000R	RV 114-2-2000R	2000	300	25,5	0,90
911114522000S	RV 114-2-2000S	2000	300	25,5	0,90
911114522000T	RV 114-2-2000T	2000	300	25,5	0,90
911114522000U	RV 114-2-2000U	2000	300	25,5	0,90
911114532000S	RV 114-3-2000S	2000	300	36,5	1,28
911114532000T	RV 114-3-2000T	2000	300	36,5	1,28
911114542000	RV 114-4-2000	2000	300	46,5	1,65
911114512500	RV 114-1-2500	2500	300	17,5	0,61
911114522500R	RV 114-2-2500R	2500	300	30,5	1,08
911114522500S	RV 114-2-2500S	2500	300	30,5	1,08
911114522500T	RV 114-2-2500T	2500	300	30,5	1,08
911114522500U	RV 114-2-2500U	2500	300	30,5	1,08
911114532500S	RV 114-3-2500S	2500	300	44,0	1,55
911114532500T	RV 114-3-2500T	2500	300	44,0	1,55
911114542500	RV 114-4-2500	2500	300	57,5	2,03



## Parkový obloukový výložník

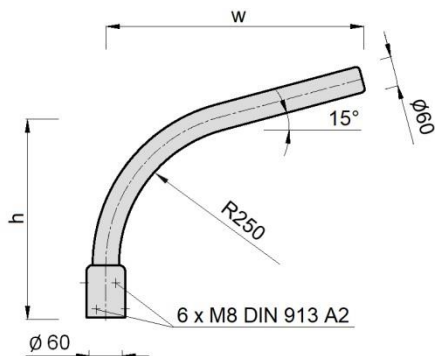
Vyrobeno dle normy EN 1090

**Materiál:** ocelová trubka S235

**Povrchová úprava:** žárový zinek, dle ČSN EN 1461

**Vrchol stožáru:**  $\varnothing 60\text{mm}$

**Montáž:** 6 x M8x10 DIN 913 A2



### PV 60

Objednací číslo	Typ	w (mm)	h (mm)	Hmotnost (kg)	Celková plocha (m <sup>2</sup> )
91360151300	PV 60-1-300	300	450	4,0	0,15
91360152300R	PV 60-2-300R	300	450	6,0	0,21
91360152300S	PV 60-2-300S	300	450	6,0	0,21
91360152300T	PV 60-2-300T	300	450	6,0	0,21
91360152300U	PV 60-2-300U	300	450	6,0	0,21
91360153300T	PV 60-3-300T	300	450	8,0	0,28
91360151500	PV 60-1-500	500	450	5,0	0,18
91360152500R	PV 60-2-500R	500	450	8,0	0,29
91360152500S	PV 60-2-500S	500	450	8,0	0,29
91360152500T	PV 60-2-500T	500	450	8,0	0,29
91360152500U	PV 60-2-500U	500	450	8,0	0,29
91360153500T	PV 60-3-500T	500	450	11,0	0,40
91360151750	PV 60-1-750	750	450	7,0	0,23
91360152750R	PV 60-2-750R	750	450	11,0	0,38
91360152750S	PV 60-2-750S	750	450	11,0	0,38
91360152750T	PV 60-2-750T	750	450	11,0	0,38
91360152750U	PV 60-2-750U	750	450	11,0	0,38
91360153750T	PV 60-3-750T	750	450	15,0	0,53
913601511000	PV 60-1-1000	1000	450	8,0	0,27
913601521000R	PV 60-2-1000R	1000	450	14,0	0,48
913601521000S	PV 60-2-1000S	1000	450	14,0	0,48
913601521000T	PV 60-2-1000T	1000	450	14,0	0,48
913601521000U	PV 60-2-1000U	1000	450	14,0	0,48
913601531000T	PV 60-3-1000T	1000	450	19,0	0,68



PV 60-1-.....



PV 60-2-.....R(60°)



PV 60-2-.....S(90°)



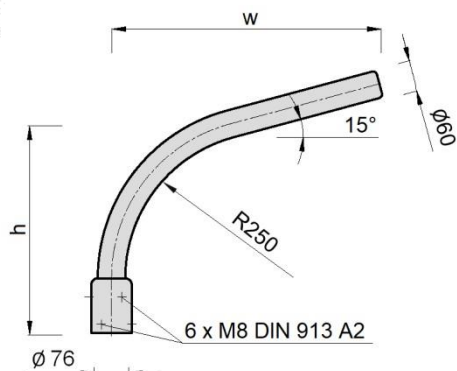
PV 60-2-.....T(120°)



PV 60-2-.....U(180°)



PV 60-3-.....T(120°)



## Parkový obloukový výložník

Vyrobeno dle normy EN 1090

**Materiál:** ocelová trubka S235

**Povrchová úprava:** žárový zinek, dle ČSN EN 1461

**Vrchol stožáru:** Ø 76mm

**Montáž:** 6 x M8x10 DIN 913 A2

### PV 76

Objednací číslo	Typ	w (mm)	h (mm)	Hmotnost (kg)	Celková plocha (m <sup>2</sup> )
91376151300	PV 76-1-300	300	450	4,0	0,15
91376152300R	PV 76-2-300R	300	450	6,0	0,21
91376152300S	PV 76-2-300S	300	450	6,0	0,21
91376152300T	PV 76-2-300T	300	450	6,0	0,21
91376152300U	PV 76-2-300U	300	450	6,0	0,21
91376153300T	PV 76-3-300T	300	450	8,0	0,28
91376151500	PV 76-1-500	500	450	5,0	0,18
91376152500R	PV 76-2-500R	500	450	8,0	0,29
91376152500S	PV 76-2-500S	500	450	8,0	0,29
91376152500T	PV 76-2-500T	500	450	8,0	0,29
91376152500U	PV 76-2-500U	500	450	8,0	0,29
91376153500T	PV 76-3-500T	500	450	11,0	0,40
91376151750	PV 76-1-750	750	450	7,0	0,23
91376152750R	PV 76-2-750R	750	450	11,0	0,38
91376152750S	PV 76-2-750S	750	450	11,0	0,38
91376152750T	PV 76-2-750T	750	450	11,0	0,38
91376152750U	PV 76-2-750U	750	450	11,0	0,38
91376153750T	PV 76-3-750T	750	450	15,0	0,53
913761511000	PV 76-1-1000	1000	450	8,0	0,27
913761521000R	PV 76-2-1000R	1000	450	14,0	0,48
913761521000S	PV 76-2-1000S	1000	450	14,0	0,48
913761521000T	PV 76-2-1000T	1000	450	14,0	0,48
913761521000U	PV 76-2-1000U	1000	450	14,0	0,48
913761531000T	PV 76-3-1000T	1000	450	19,0	0,68



PV 76-1-.....



PV 76-2-.....R(60°)



PV 76-2-.....S (90°)



PV 76-2-.....T(120°)



PV 76-2-.....U (180°)



PV 76-3-.....T(120°)



## Obloukový výložník

Vyrobeno dle normy EN 1090

**Materiál:** ocelová trubka S235

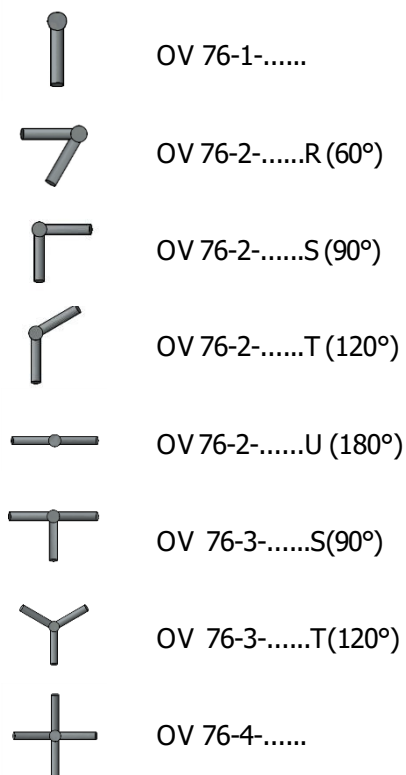
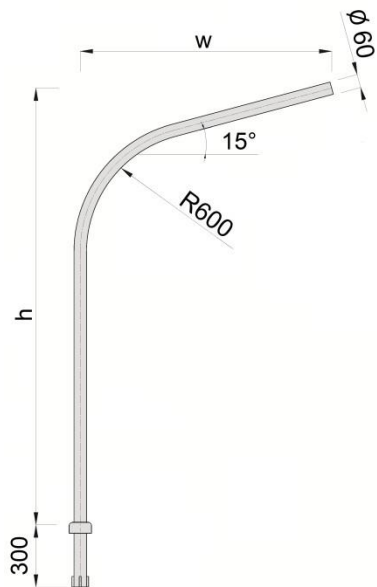
**Povrchová úprava:** žárový zinek, dle ČSN EN 1461

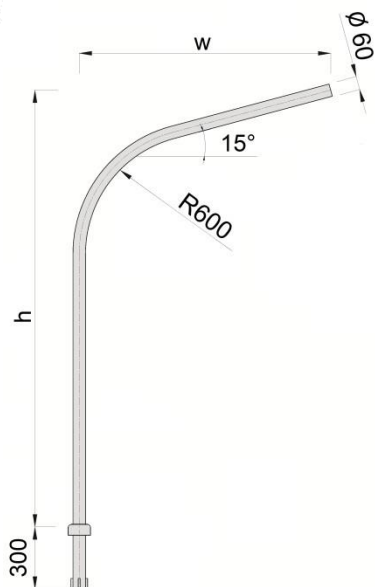
**Vrchol stožáru:**  $\varnothing 76\text{mm}$

**Montáž:** 3 x M10x10 DIN 913 A2 (na stožáru)

### OV 76

Objednací číslo	Typ	w (mm)	h (mm)	Hmotnost (kg)	Celková plocha (m <sup>2</sup> )
915761511000	OV 76-1-1000	1000	1800	16,0	0,54
915761521000R	OV 76-2-1000R	1000	1800	23,0	0,73
915761521000S	OV 76-2-1000S	1000	1800	23,0	0,73
915761521000T	OV 76-2-1000T	1000	1800	23,0	0,73
915761521000U	OV 76-2-1000U	1000	1800	23,0	0,73
915761531000S	OV 76-3-1000S	1000	1800	30,0	0,98
915761531000T	OV 76-3-1000T	1000	1800	30,0	0,98
915761541000	OV 76-4-1000	1000	1800	37,0	1,24
915761511500	OV 76-1-1500	1500	1800	18,0	0,63
915761521500R	OV 76-2-1500R	1500	1800	28,0	0,92
915761521500S	OV 76-2-1500S	1500	1800	28,0	0,92
915761521500T	OV 76-2-1500T	1500	1800	28,0	0,92
915761521500U	OV 76-2-1500U	1500	1800	28,0	0,92
915761531500S	OV 76-3-1500S	1500	1800	38,0	1,26
915761531500T	OV 76-3-1500T	1500	1800	38,0	1,26
915761541500	OV 76-4-1500	1500	1800	47,0	1,61
915761512000	OV 76-1-2000	2000	1800	21,0	0,72
915761522000R	OV 76-2-2000R	2000	1800	33,0	1,11
915761522000S	OV 76-2-2000S	2000	1800	33,0	1,11
915761522000T	OV 76-2-2000T	2000	1800	33,0	1,11
915761522000U	OV 76-2-2000U	2000	1800	33,0	1,11
915761532000S	OV 76-3-2000S	2000	1800	45,0	1,55
915761532000T	OV 76-3-2000T	2000	1800	45,0	1,55
915761542000	OV 76-4-2000	2000	1800	58,0	1,98
915761512500	OV 76-1-2500	2500	1800	23,0	0,82
915761522500R	OV 76-2-2500R	2500	1800	38,0	1,29
915761522500S	OV 76-2-2500S	2500	1800	38,0	1,29
915761522500T	OV 76-2-2500T	2500	1800	38,0	1,29
915761522500U	OV 76-2-2500U	2500	1800	38,0	1,29
915761532500S	OV 76-3-2500S	2500	1800	53,0	1,83
915761532500T	OV 76-3-2500T	2500	1800	53,0	1,83
915761542500	OV 76-4-2500	2500	1800	68,0	2,37





## Obloukový výložník

Vyrobeno dle normy EN 1090

**Materiál:** ocelová trubka S235

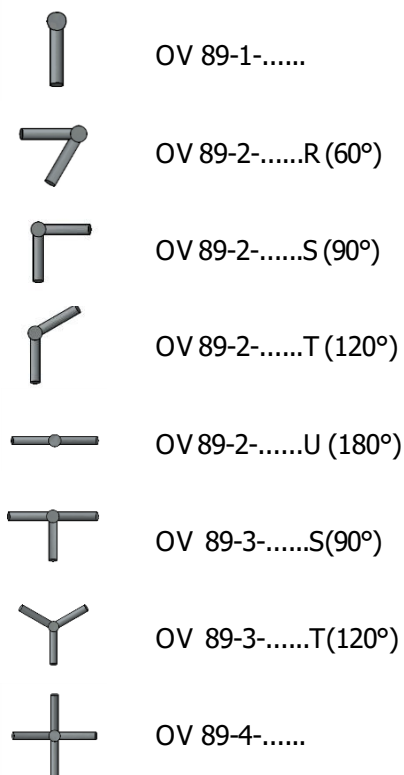
**Povrchová úprava:** žárový zinek, dle ČSN EN 1461

**Vrchol stožáru:** Ø89mm

**Montáž:** 3 x M10x20 DIN 913 A2 (na stožáru)

### OV 89

Objednací číslo	Typ	w (mm)	h (mm)	Hmotnost (kg)	Celková plocha (m <sup>2</sup> )
915891511000	OV89-1-1000	1000	1800	16,0	0,54
915891521000R	OV89-2-1000R	1000	1800	23,0	0,73
915891521000S	OV89-2-1000S	1000	1800	23,0	0,73
915891521000T	OV89-2-1000T	1000	1800	23,0	0,73
915891521000U	OV89-2-1000U	1000	1800	23,0	0,73
915891531000S	OV89-3-1000S	1000	1800	30,0	0,98
915891531000T	OV89-3-1000T	1000	1800	30,0	0,98
915891541000	OV89-4-1000	1000	1800	37,0	1,24
915891511500	OV89-1-1500	1500	1800	18,0	0,63
915891521500R	OV89-2-1500R	1500	1800	28,0	0,92
915891521500S	OV89-2-1500S	1500	1800	28,0	0,92
915891521500T	OV89-2-1500T	1500	1800	28,0	0,92
915891521500U	OV89-2-1500U	1500	1800	28,0	0,92
915891531500S	OV89-3-1500S	1500	1800	38,0	1,26
915891531500T	OV89-3-1500T	1500	1800	38,0	1,26
915891541500	OV89-4-1500	1500	1800	47,0	1,61
915891512000	OV89-1-2000	2000	1800	21,0	0,72
915891522000R	OV89-2-2000R	2000	1800	33,0	1,11
915891522000S	OV89-2-2000S	2000	1800	33,0	1,11
915891522000T	OV89-2-2000T	2000	1800	33,0	1,11
915891522000U	OV89-2-2000U	2000	1800	33,0	1,11
915891532000S	OV89-3-2000S	2000	1800	45,0	1,55
915891532000T	OV89-3-2000T	2000	1800	45,0	1,55
915891542000	OV89-4-2000	2000	1800	58,0	1,98
915891512500	OV89-1-2500	2500	1800	23,0	0,82
915891522500R	OV89-2-2500R	2500	1800	38,0	1,29
915891522500S	OV89-2-2500S	2500	1800	38,0	1,29
915891522500T	OV89-2-2500T	2500	1800	38,0	1,29
915891522500U	OV89-2-2500U	2500	1800	38,0	1,29
915891532500S	OV89-3-2500S	2500	1800	53,0	1,83
915891532500T	OV89-3-2500T	2500	1800	53,0	1,83
915891542500	OV89-4-2500	2500	1800	68,0	2,37



## Obloukový výložník

Vyrobeno dle normy EN 1090

**Materiál:** ocelová trubka S235

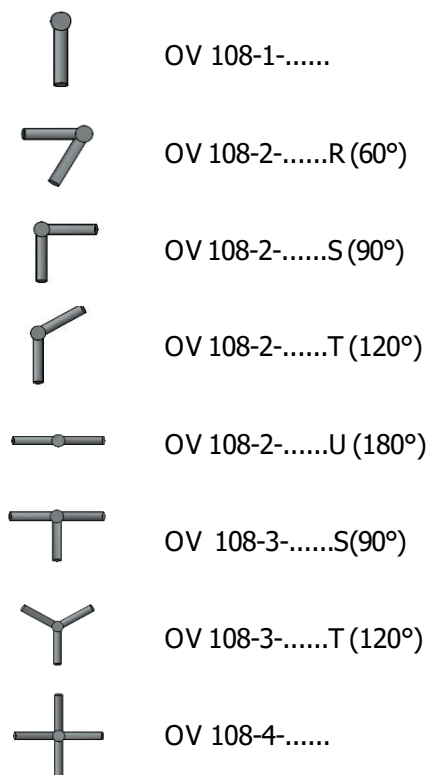
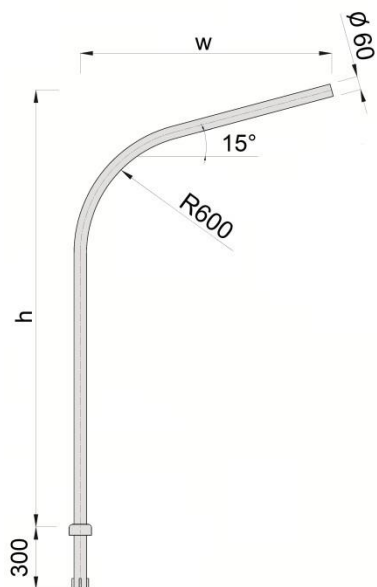
**Povrchová úprava:** žárový zinek, dle ČSN EN 1461

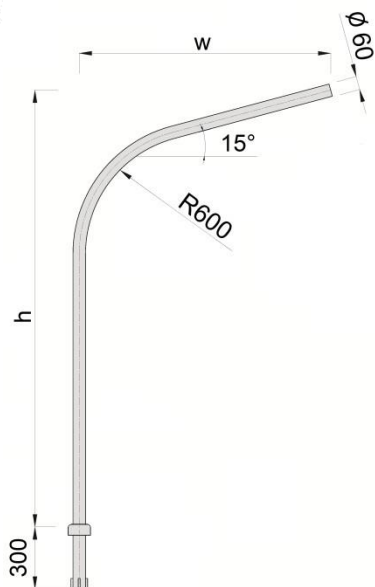
**Vrchol stožáru:**  $\varnothing 108\text{mm}$

**Montáž:** 3 x M10x25 DIN 913 A2 (na stožáru)

### OV 108

Objednací číslo	Typ	w (mm)	h (mm)	Hmotnost (kg)	Celková plocha (m <sup>2</sup> )
9151081511000	OV108-1-1000	1000	1800	16,0	0,54
9151081521000R	OV 108-2-1000 R	1000	1800	23,0	0,73
9151081521000S	OV 108-2-1000 S	1000	1800	23,0	0,73
9151081521000T	OV 108-2-1000 T	1000	1800	23,0	0,73
9151081521000U	OV 108-2-1000 U	1000	1800	23,0	0,73
9151081531000S	OV 108-3-1000 S	1000	1800	30,0	0,98
9151081531000T	OV 108-3-1000 T	1000	1800	30,0	0,98
9151081541000	OV108-4-1000	1000	1800	37,0	1,24
9151081511500	OV108-1-1500	1500	1800	18,0	0,63
9151081521500R	OV 108-2-1500 R	1500	1800	28,0	0,92
9151081521500S	OV 108-2-1500 S	1500	1800	28,0	0,92
9151081521500T	OV 108-2-1500 T	1500	1800	28,0	0,92
9151081521500U	OV 108-2-1500 U	1500	1800	28,0	0,92
9151081531500S	OV 108-3-1500 S	1500	1800	38,0	1,26
9151081531500T	OV 108-3-1500 T	1500	1800	38,0	1,26
9151081541500	OV 108-4-1500	1500	1800	47,0	1,61
9151081512000	OV 108-1-2000	2000	1800	21,0	0,72
9151081522000R	OV 108-2-2000 R	2000	1800	33,0	1,11
9151081522000S	OV 108-2-2000 S	2000	1800	33,0	1,11
9151081522000T	OV 108-2-2000 T	2000	1800	33,0	1,11
9151081522000U	OV 108-2-2000 U	2000	1800	33,0	1,11
9151081532000S	OV 108-3-2000 S	2000	1800	45,0	1,55
9151081532000T	OV 108-3-2000 T	2000	1800	45,0	1,55
9151081542000	OV 108-4-2000	2000	1800	58,0	1,98
9151081512500	OV108-1-2500	2500	1800	23,0	0,82
9151081522500R	OV 108-2-2500 R	2500	1800	38,0	1,29
9151081522500S	OV 108-2-2500 S	2500	1800	38,0	1,29
9151081522500T	OV 108-2-2500 T	2500	1800	38,0	1,29
9151081522500U	OV 108-2-2500 U	2500	1800	38,0	1,29
9151081532500S	OV 108-3-2500 S	2500	1800	53,0	1,83
9151081532500T	OV 108-3-2500 T	2500	1800	53,0	1,83
9151081542500	OV108-4-2500	2500	1800	68,0	2,37





## Obloukový výložník

Vyrobeno dle normy EN 1090

**Materiál:** ocelová trubka S235

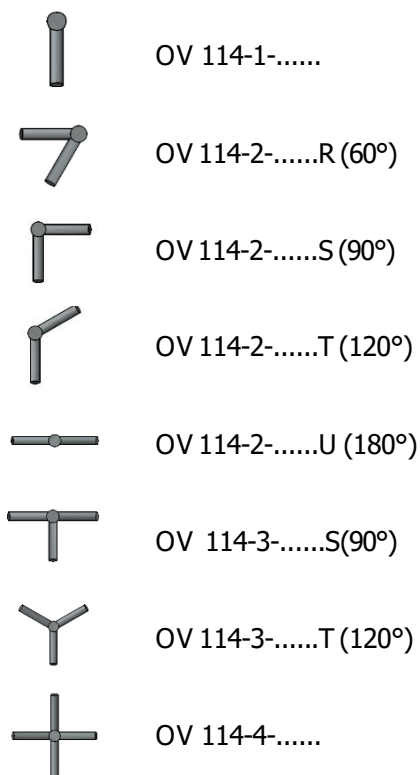
**Povrchová úprava:** žárový zinek, dle ČSN EN 1461

**Vrchol stožáru:** Ø114mm

**Montáž:** 3 x M10x30 DIN 913 A2 (na stožáru)

### OV 114

Objednací číslo	Typ	w (mm)	h (mm)	Hmotnost (kg)	Celková plocha (m <sup>2</sup> )
9151141511000	OV 114-1-1000	1000	1800	16,0	0,54
9151141521000R	OV 114-2-1000R	1000	1800	23,0	0,73
9151141521000S	OV 114-2-1000S	1000	1800	23,0	0,73
9151141521000T	OV 114-2-1000T	1000	1800	23,0	0,73
9151141521000U	OV 114-2-1000U	1000	1800	23,0	0,73
9151141531000S	OV 114-3-1000S	1000	1800	30,0	0,98
9151141531000T	OV 114-3-1000T	1000	1800	30,0	0,98
9151141541000	OV 114-4-1000	1000	1800	37,0	1,24
9151141511500	OV 114-1-1500	1500	1800	18,0	0,63
9151141521500R	OV 114-2-1500R	1500	1800	28,0	0,92
9151141521500S	OV 114-2-1500S	1500	1800	28,0	0,92
9151141521500T	OV 114-2-1500T	1500	1800	28,0	0,92
9151141521500U	OV 114-2-1500U	1500	1800	28,0	0,92
9151141531500S	OV 114-3-1500S	1500	1800	38,0	1,26
9151141531500T	OV 114-3-1500T	1500	1800	38,0	1,26
9151141541500	OV 114-4-1500	1500	1800	47,0	1,61
9151141512000	OV 114-1-2000	2000	1800	21,0	0,72
9151141522000R	OV 114-2-2000R	2000	1800	33,0	1,11
9151141522000S	OV 114-2-2000S	2000	1800	33,0	1,11
9151141522000T	OV 114-2-2000T	2000	1800	33,0	1,11
9151141522000U	OV 114-2-2000U	2000	1800	33,0	1,11
9151141532000S	OV 114-3-2000S	2000	1800	45,0	1,55
9151141532000T	OV 114-3-2000T	2000	1800	45,0	1,55
9151141542000	OV 114-4-2000	2000	1800	58,0	1,98
9151141512500	OV 114-1-2500	2500	1800	23,0	0,82
9151141522500R	OV 114-2-2500R	2500	1800	38,0	1,29
9151141522500S	OV 114-2-2500S	2500	1800	38,0	1,29
9151141522500T	OV 114-2-2500T	2500	1800	38,0	1,29
9151141522500U	OV 114-2-2500U	2500	1800	38,0	1,29
9151141532500S	OV 114-3-2500S	2500	1800	53,0	1,83
9151141532500T	OV 114-3-2500T	2500	1800	53,0	1,83
9151141542500	OV 114-4-2500	2500	1800	68,0	2,37



## Výložník bandimex systém

Vyrobeno dle normy EN 1090

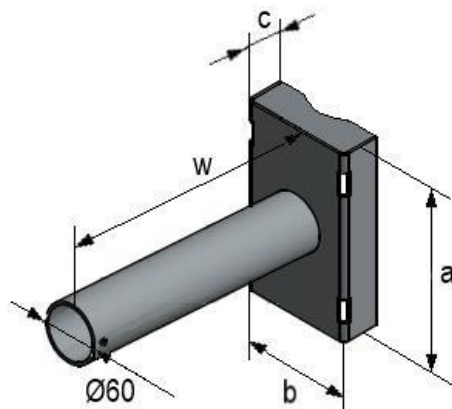
**Materiál:** ocelová trubka S235

**P. úprava:** žárový zinek, dle ČSN EN 1461

**Průměr stožáru:**  $\varnothing$  60 – 89mm

**Montáž:** bandimexovým systémem

**Použití:** osvětlovací, betonové a trakční stožáry



### VBS 60

Objednací číslo	Typ	w (mm)	a (mm)	b (mm)	c (mm)	Hmotnost (kg)	Celková plocha (m <sup>2</sup> )
9193151200	VBS 60-200	200	200	85	20	1,8	0,11
9193151300	VBS 60-300	300	200	85	20	2,2	0,13
9193151500	VBS 60-500	500	200	85	20	3,1	0,17
9193151750	VBS 60-750	750	200	85	20	4,2	0,21
91931511000	VBS 60-1000	1000	200	85	20	5,4	0,26
91931511250	VBS 60-1250	1250	200	85	20	6,5	0,31
91931511500	VBS 60-1500	1500	200	85	20	7,5	0,35

## Výložník bandimex systém

Vyrobeno dle normy EN 1090

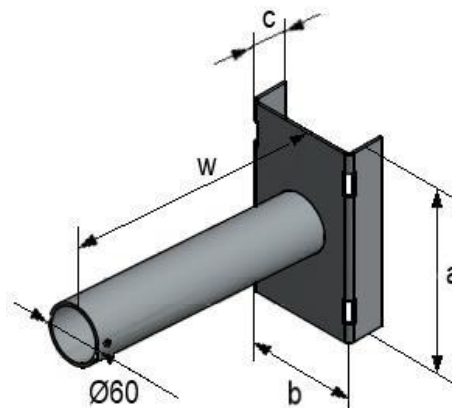
**Materiál:** ocelová trubka S235

**P. úprava:** žárový zinek, dle ČSN EN 1461

**Průměr stožáru:**  $\varnothing$  100 – 189mm

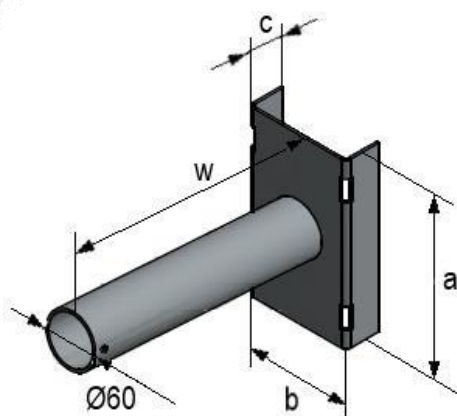
**Montáž:** bandimexovým systémem

**Použití:** osvětlovací, betonové a trakční stožáry



### VBS 100

Objednací číslo	Typ	w (mm)	a (mm)	b (mm)	c (mm)	Hmotnost (kg)	Celková plocha (m <sup>2</sup> )
9193251200	VBS 100-200	200	200	85	30	1,7	0,10
9193251300	VBS 100-300	300	200	85	30	2,0	0,12
9193251500	VBS 100-500	500	200	85	30	3,0	0,16
9193251750	VBS 100-750	750	200	85	30	4,1	0,20
91932511000	VBS 100-1000	1000	200	85	30	5,2	0,25
91932511250	VBS 100-1250	1250	200	85	30	6,4	0,30
91932511500	VBS 100-1500	1500	200	85	30	7,3	0,34



## Výložník bandimex systém

Vyrobeno dle normy EN 1090

**Materiál:** ocelová trubka S235

**P. úprava:** žárový zinek, dle ČSN EN 1461

**Průměr stožáru:**  $\varnothing$  190 – 330mm

**Montáž:** bandimexovým systémem

**Použití:** osvětlovací, betonové a trakční stožáry

### VBS 190

Objednací číslo	Typ	w (mm)	a (mm)	b (mm)	c (mm)	Hmotnost (kg)	Celková plocha (m <sup>2</sup> )
9193351200	VBS 190-200	200	200	120	40	2,1	0,14
9193351300	VBS 190-300	300	200	120	40	2,5	0,16
9193351500	VBS 190-500	500	200	120	40	3,4	0,20
9193351750	VBS 190-750	750	200	120	40	4,5	0,24
91933511000	VBS 190-1000	1000	200	120	40	5,6	0,29
91933511250	VBS 190-1250	1250	200	120	40	6,7	0,34
91933511500	VBS 190-1500	1500	200	120	40	7,8	0,38



## Dekorativní výložník

Vyrobeno dle normy EN 1090

**Materiál:** ocelová trubka S235

**Povrchová úprava:** žárový zinek, dle ČSN EN 1461

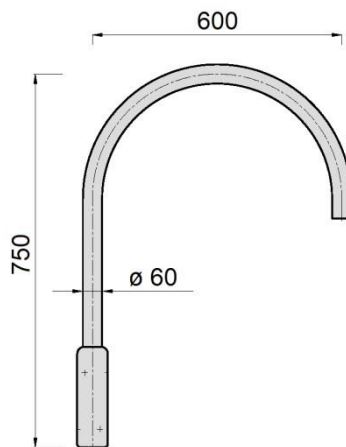
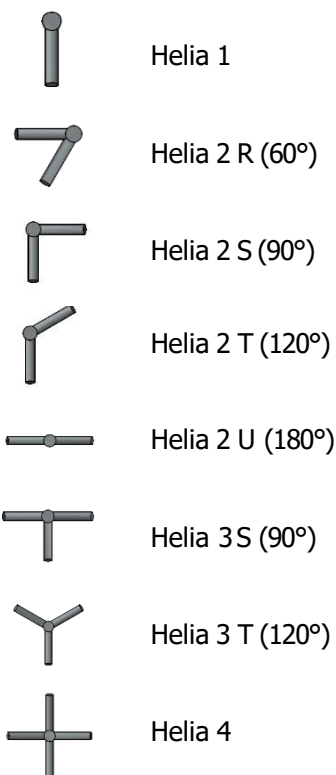
**Vrchol stožáru:**  $\varnothing 60\text{mm}$

**Montáž:** 6 x M8x10 DIN 913 A2

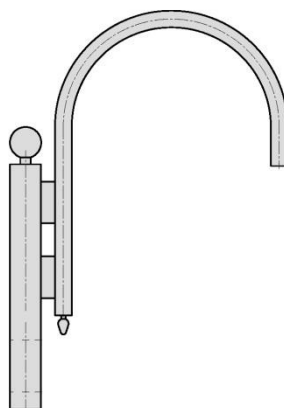
**Použití:** PCD - parkový stožár

Klasika mezi dekorativními výložníky je náš typ Helia. Můžete si vybrat mezi standardní nebo náročnější verzí. Nabízíme také možnost zajistit lakovou úpravu v konvenčních odstínech barev RAL.

*Cena na poptávku.*



Helia 1-1



Helia 2-1



Niobe

## Designový výložník

Vyrobeno dle normy EN 1090

**Materiál:** ocelová trubka S235

**Povrchová úprava:** žárový zinek, dle ČSN EN 1461

**Vrchol stožáru:**  $\varnothing$  60mm,  $\varnothing$  76mm,  $\varnothing$  89mm,  $\varnothing$  108mm a  $\varnothing$  114mm

**Montáž:** 6 x M8 nebo 3 x M10 (na stožáru) DIN 913 A2

**Použití:** PCD - parkový stožár, SCT – silniční stožár

Designové výložníky mohou být vyráběny v široké škále variant, záleží pouze na rozpočtu, který má investor k dispozici.

Nabízíme také možnost zajistit lakovou úpravu v konvenčních odstínech barev RAL.

*Cena na poptávku.*

Některé příklady dosud vytvořených designových výložníků:



Larissa 1



Larissa 2



Larissa 3



Dorea



Aretha



Helena



Kalomira



Medea

## Držák reflektoru

Vyrobeno dle normy EN 1090

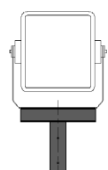
**Materiál:** ocelová trubka S235

**Povrchová úprava:** žárový zinek, dle ČSN EN 1461

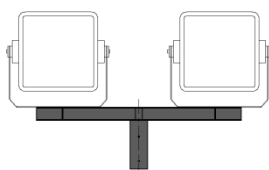
**Vrchol stožáru:**  $\varnothing$  60mm,  $\varnothing$  76mm,  $\varnothing$  89mm,  $\varnothing$  108mm a  $\varnothing$  114mm

**Montáž:** 6 x M8 nebo 6 x M10 DIN 913 A2

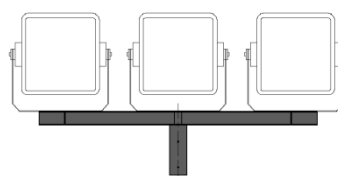
**Použití:** PCD - parkový stožár, SCT – silniční stožár



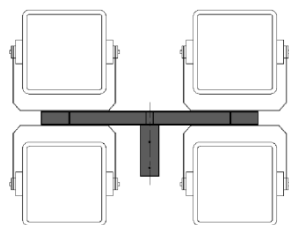
DR 1



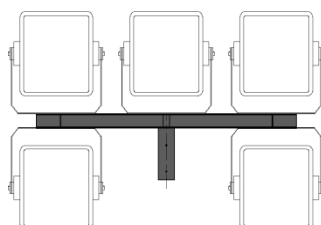
DR 2



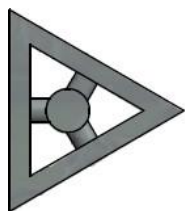
DR 3



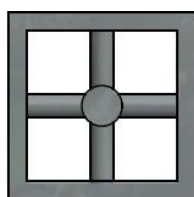
DR 4



DR 5



DRT



DRC

### DR

Objednací číslo	Typ	Hmotnost (kg)	Celková plocha (m <sup>2</sup> )
91860001	DR 60-1	2,50	0,12
91876001	DR 76-1	3,00	0,14
91889001	DR 89-1	3,50	0,16
918108001	DR 108-1	4,00	0,16
918114001	DR 114-1	4,50	0,18
91860002	DR 60-2	3,00	0,18
91876002	DR 76-2	3,50	0,23
91889002	DR 89-2	4,00	0,26
918108002	DR 108-2	4,50	0,26
918114002	DR 114-2	5,00	0,28
91876003	DR 76-3	4,00	0,35
91889003	DR 89-3	4,50	0,41
918108003	DR 108-3	5,00	0,41
918114003	DR 114-3	5,50	0,43
91876004	DR 76-4	6,00	0,35
91889004	DR 89-4	6,50	0,41
918108004	DR 108-4	7,00	0,41
918114004	DR 114-4	7,50	0,43
91889005	DR 89-5	7,50	0,41
918108005	DR 108-5	8,00	0,41
918114005	DR 114-5	8,50	0,43
91876003T	DRT 76	4,50	0,14
91889003T	DRT 89	5,00	0,16
918108003T	DRT 108	5,50	0,17
918114003T	DRT 114	6,00	0,18
91876004C	DRC 76	5,00	0,16
91889004C	DRC 89	6,00	0,18
918108004C	DRC 108	7,00	0,19
918114004C	DRC 114	8,00	0,20

Pro typ RV jsou použitelné dva druhy příslušenství:

### 1. Plastová zátka

Standardně je vrchní konec výložníku svařen. Alternativně vám můžeme nabídnout nesvařené provedení s plastovou zátkou. Pro objednání výložníku s tímto příslušenstvím pouze připište za objednací číslo nebo za označení typu písmeno **P**.

Příklad objednacího čísla: 911.....300**P**

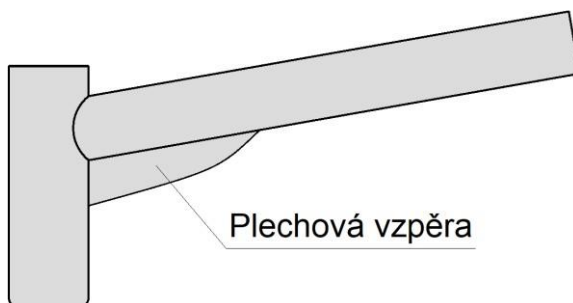
Příklad typu: RV ..... 300 **P**

*Cena není ovlivněna typem zátky.*



### 2. Vzpěra výložníku

Pokud je výložení delší než 2000mm, standardně přidáváme k výložníku plechovou vzpěru.



## RV 60-300

Objednáací číslo	Typ	Měna	Množství	Cena bezDPH
9116051300	RV 60-1-300	Kč	1	<b>388,58</b>
9116052300R	RV 60-2-300R	Kč	1	<b>536,43</b>
9116052300S	RV 60-2-300S	Kč	1	<b>536,43</b>
9116052300T	RV 60-2-300T	Kč	1	<b>536,43</b>
9116052300U	RV 60-2-300U	Kč	1	<b>536,43</b>
9116053300S	RV 60-3-300S	Kč	1	<b>975,20</b>
9116053300T	RV 60-3-300T	Kč	1	<b>975,20</b>
9116054300	RV 60-4-300	Kč	1	<b>1.109,05</b>

## RV 60-750

Objednáací číslo	Typ	Měna	Množství	Cena bezDPH
9116051750	RV 60-1-750	Kč	1	<b>557,27</b>
9116052750R	RV 60-2-750R	Kč	1	<b>917,32</b>
9116052750S	RV 60-2-750S	Kč	1	<b>917,32</b>
9116052750T	RV 60-2-750T	Kč	1	<b>917,32</b>
9116052750U	RV 60-2-750U	Kč	1	<b>917,32</b>
9116053750S	RV 60-3-750S	Kč	1	<b>1.221,51</b>
9116053750T	RV 60-3-750T	Kč	1	<b>1.221,51</b>
9116054750	RV 60-4-750	Kč	1	<b>1.487,47</b>

## RV 60-500

Objednáací číslo	Typ	Měna	Množství	Cena bezDPH
9116051500	RV 60-1-500	Kč	1	<b>439,91</b>
9116052500R	RV 60-2-500R	Kč	1	<b>723,18</b>
9116052500S	RV 60-2-500S	Kč	1	<b>723,18</b>
9116052500T	RV 60-2-500T	Kč	1	<b>723,18</b>
9116052500U	RV 60-2-500U	Kč	1	<b>723,18</b>
9116053500S	RV 60-3-500S	Kč	1	<b>1.079,60</b>
9116053500T	RV 60-3-500T	Kč	1	<b>1.079,60</b>
9116054500	RV 60-4-500	Kč	1	<b>1.298,26</b>

## RV 60-1000

Objednáací číslo	Typ	Měna	Množství	Cena bezDPH
91160511000	RV 60-1-1000	Kč	1	<b>669,26</b>
91160521000R	RV 60-2-1000R	Kč	1	<b>987,89</b>
91160521000S	RV 60-2-1000S	Kč	1	<b>987,89</b>
91160521000T	RV 60-2-1000T	Kč	1	<b>987,89</b>
91160521000U	RV 60-2-1000U	Kč	1	<b>987,89</b>
91160531000S	RV 60-3-1000S	Kč	1	<b>1.387,06</b>
91160531000T	RV 60-3-1000T	Kč	1	<b>1.387,06</b>
91160541000	RV 60-4-1000	Kč	1	<b>1.700,34</b>



**EU-poles s.r.o.**

Hájová 15 | 691 41 Břeclav | IČ: 28337620 | DIČ: CZ28337620  
 +420 725 410 839 | [info@eu-poles.cz](mailto:info@eu-poles.cz) | [www.eu-poles.cz](http://www.eu-poles.cz)

## RV 76-300

Objednáací číslo	Typ	Měna	Množství	Cena bezDPH
9117651300	RV 76-1-300	Kč	1	398,17
9117652300R	RV 76-2-300R	Kč	1	561,97
9117652300S	RV 76-2-300S	Kč	1	561,97
9117652300T	RV 76-2-300T	Kč	1	561,97
9117652300U	RV 76-2-300U	Kč	1	561,97
9117653300S	RV 76-3-300S	Kč	1	975,20
9117653300T	RV 76-3-300T	Kč	1	975,20
9117654300	RV 76-4-300	Kč	1	1.153,42

## RV 76-750

Objednáací číslo	Typ	Měna	Množství	Cena bezDPH
9117651750	RV 76-1-750	Kč	1	557,27
9117652750R	RV 76-2-750R	Kč	1	917,32
9117652750S	RV 76-2-750S	Kč	1	917,32
9117652750T	RV 76-2-750T	Kč	1	917,32
9117652750U	RV 76-2-750U	Kč	1	917,32
9117653750S	RV 76-3-750S	Kč	1	1.221,51
9117653750T	RV 76-3-750T	Kč	1	1.221,51
9117654750	RV 76-4-750	Kč	1	1.487,47

## RV 76-1250

Objednáací číslo	Typ	Měna	Množství	Cena bezDPH
91176511250	RV 76-1-1250	Kč	1	775,51
91176521250R	RV 76-2-1250R	Kč	1	1.239,73
91176521250S	RV 76-2-1250S	Kč	1	1.239,73
91176521250T	RV 76-2-1250T	Kč	1	1.239,73
91176521250U	RV 76-2-1250U	Kč	1	1.239,73
91176531250S	RV 76-3-1250S	Kč	1	1.738,94
91176531250T	RV 76-3-1250T	Kč	1	1.738,94
91176541250	RV 76-4-1250	Kč	1	2.142,78

## RV 76-500

Objednáací číslo	Typ	Měna	Množství	Cena bezDPH
9117651500	RV 76-1-500	Kč	1	452,85
9117652500R	RV 76-2-500R	Kč	1	757,62
9117652500S	RV 76-2-500S	Kč	1	757,62
9117652500T	RV 76-2-500T	Kč	1	757,62
9117652500U	RV 76-2-500U	Kč	1	757,62
9117653500S	RV 76-3-500S	Kč	1	1.055,95
9117653500T	RV 76-3-500T	Kč	1	1.055,95
9117654500	RV 76-4-500	Kč	1	1.274,61

## RV 76-1000

Objednáací číslo	Typ	Měna	Množství	Cena bezDPH
91176511000	RV 76-1-1000	Kč	1	669,26
91176521000R	RV 76-2-1000R	Kč	1	996,48
91176521000S	RV 76-2-1000S	Kč	1	996,48
91176521000T	RV 76-2-1000T	Kč	1	996,48
91176521000U	RV 76-2-1000U	Kč	1	996,48
91176531000S	RV 76-3-1000S	Kč	1	1.387,06
91176531000T	RV 76-3-1000T	Kč	1	1.387,06
91176541000	RV 76-4-1000	Kč	1	1.700,34

## RV 76-1500

Objednáací číslo	Typ	Měna	Množství	Cena bezDPH
91176511500	RV 76-1-1500	Kč	1	911,74
91176521500R	RV 76-2-1500R	Kč	1	1.485,70
91176521500S	RV 76-2-1500S	Kč	1	1.485,70
91176521500T	RV 76-2-1500T	Kč	1	1.485,70
91176521500U	RV 76-2-1500U	Kč	1	1.485,70
91176531500S	RV 76-3-1500S	Kč	1	2.136,28
91176531500T	RV 76-3-1500T	Kč	1	2.136,28
91176541500	RV 76-4-1500	Kč	1	2.672,57



## RV 89-300

Objednáací číslo	Typ	Měna	Množství	Cena bez DPH
9118951300	RV 89-1-300	Kč	1	586,01
9118952300R	RV 89-2-300R	Kč	1	781,08
9118952300S	RV 89-2-300S	Kč	1	781,08
9118952300T	RV 89-2-300T	Kč	1	781,08
9118952300U	RV 89-2-300U	Kč	1	781,08
9118953300S	RV 89-3-300S	Kč	1	1.181,99
9118953300T	RV 89-3-300T	Kč	1	1.181,99
9118954300	RV 89-4-300	Kč	1	1.480,14

## RV 89-750

Objednáací číslo	Typ	Měna	Množství	Cena bez DPH
9118951750	RV 89-1-750	Kč	1	760,52
9118952750R	RV 89-2-750R	Kč	1	1.083,07
9118952750S	RV 89-2-750S	Kč	1	1.083,07
9118952750T	RV 89-2-750T	Kč	1	1.083,07
9118952750U	RV 89-2-750U	Kč	1	1.083,07
9118953750S	RV 89-3-750S	Kč	1	1.522,57
9118953750T	RV 89-3-750T	Kč	1	1.522,57
9118954750	RV 89-4-750	Kč	1	1.964,51

## RV 89-1500

Objednáací číslo	Typ	Měna	Množství	Cena bez DPH
91189511500	RV 89-1-1500	Kč	1	1.076,80
91189521500R	RV 89-2-1500R	Kč	1	1.593,93
91189521500S	RV 89-2-1500S	Kč	1	1.593,93
91189521500T	RV 89-2-1500T	Kč	1	1.593,93
91189521500U	RV 89-2-1500U	Kč	1	1.593,93
91189531500S	RV 89-3-1500S	Kč	1	2.189,26
91189531500T	RV 89-3-1500T	Kč	1	2.189,26
91189541500	RV 89-4-1500	Kč	1	2.699,06

## RV 89-2500

Objednáací číslo	Typ	Měna	Množství	Cena bez DPH
91189512500	RV 89-1-2500	Kč	1	1.381,57
91189522500R	RV 89-2-2500R	Kč	1	2.104,80
91189522500S	RV 89-2-2500S	Kč	1	2.104,80
91189522500T	RV 89-2-2500T	Kč	1	2.104,80
91189522500U	RV 89-2-2500U	Kč	1	2.104,80
91189532500S	RV 89-3-2500S	Kč	1	2.902,91
91189532500T	RV 89-3-2500T	Kč	1	2.902,91
91189542500	RV 89-4-2500	Kč	1	3.563,95

## RV 89-500

Objednáací číslo	Typ	Měna	Množství	Cena bez DPH
9118951500	RV 89-1-500	Kč	1	653,79
9118952500R	RV 89-2-500R	Kč	1	871,91
9118952500S	RV 89-2-500S	Kč	1	871,91
9118952500T	RV 89-2-500T	Kč	1	871,91
9118952500U	RV 89-2-500U	Kč	1	871,91
9118953500S	RV 89-3-500S	Kč	1	1.323,90
9118953500T	RV 89-3-500T	Kč	1	1.323,90
9118954500	RV 89-4-500	Kč	1	1.661,78

## RV 89-1000

Objednáací číslo	Typ	Měna	Množství	Cena bez DPH
91189511000	RV 89-1-1000	Kč	1	807,83
91189521000R	RV 89-2-1000R	Kč	1	1.141,34
91189521000S	RV 89-2-1000S	Kč	1	1.141,34
91189521000T	RV 89-2-1000T	Kč	1	1.141,34
91189521000U	RV 89-2-1000U	Kč	1	1.141,34
91189531000S	RV 89-3-1000S	Kč	1	1.692,86
91189531000T	RV 89-3-1000T	Kč	1	1.692,86
91189541000	RV 89-4-1000	Kč	1	2.068,78

## RV 89-2000

Objednáací číslo	Typ	Měna	Množství	Cena bez DPH
91189512000	RV 89-1-2000	Kč	1	1.249,13
91189522000R	RV 89-2-2000R	Kč	1	1.849,37
91189522000S	RV 89-2-2000S	Kč	1	1.849,37
91189522000T	RV 89-2-2000T	Kč	1	1.849,37
91189522000U	RV 89-2-2000U	Kč	1	1.849,37
91189532000S	RV 89-3-2000S	Kč	1	2.519,76
91189532000T	RV 89-3-2000T	Kč	1	2.519,76
91189542000	RV 89-4-2000	Kč	1	3.069,32



**EU-poles s.r.o.**

Hájová 15 | 691 41 Břeclav | IČ: 28337620 | DIČ: CZ28337620  
+420 725 410 839 | [info@eu-poles.cz](mailto:info@eu-poles.cz) | [www.eu-poles.cz](http://www.eu-poles.cz)

## RV 108-300

Objednací číslo	Typ	Měna	Množství	Cena bezDPH
91110851300	RV 108-1-300	Kč	1	<b>627,63</b>
91110852300R	RV 108-2-300R	Kč	1	<b>826,49</b>
91110852300S	RV 108-2-300S	Kč	1	<b>826,49</b>
91110852300T	RV 108-2-300T	Kč	1	<b>826,49</b>
91110852300U	RV 108-2-300U	Kč	1	<b>826,49</b>
91110853300S	RV 108-3-300S	Kč	1	<b>1.238,75</b>
91110853300T	RV 108-3-300T	Kč	1	<b>1.238,75</b>
91110854300	RV 108-4-300	Kč	1	<b>1.540,68</b>

## RV 108-750

Objednací číslo	Typ	Měna	Množství	Cena bezDPH
91110851750	RV 108-1-750	Kč	1	<b>807,83</b>
91110852750R	RV 108-2-750R	Kč	1	<b>1.134,15</b>
91110852750S	RV 108-2-750S	Kč	1	<b>1.134,15</b>
91110852750T	RV 108-2-750T	Kč	1	<b>1.134,15</b>
91110852750U	RV 108-2-750U	Kč	1	<b>1.134,15</b>
91110853750S	RV 108-3-750S	Kč	1	<b>1.579,33</b>
91110853750T	RV 108-3-750T	Kč	1	<b>1.579,33</b>
91110854750	RV 108-4-750	Kč	1	<b>2.025,06</b>

## RV 108-1500

Objednací číslo	Typ	Měna	Množství	Cena bezDPH
911108511500	RV 108-1-1500	Kč	1	<b>1.127,88</b>
911108521500R	RV 108-2-1500R	Kč	1	<b>1.645,02</b>
911108521500S	RV 108-2-1500S	Kč	1	<b>1.645,02</b>
911108521500T	RV 108-2-1500T	Kč	1	<b>1.645,02</b>
911108521500U	RV 108-2-1500U	Kč	1	<b>1.645,02</b>
911108531500S	RV 108-3-1500S	Kč	1	<b>2.242,24</b>
911108531500T	RV 108-3-1500T	Kč	1	<b>2.242,24</b>
911108541500	RV 108-4-1500	Kč	1	<b>2.752,04</b>

## RV 108-2500

Objednací číslo	Typ	Měna	Množství	Cena bezDPH
911108512500	RV 108-1-2500	Kč	1	<b>1.434,55</b>
911108522500R	RV 108-2-2500R	Kč	1	<b>2.155,89</b>
911108522500S	RV 108-2-2500S	Kč	1	<b>2.155,89</b>
911108522500T	RV 108-2-2500T	Kč	1	<b>2.155,89</b>
911108522500U	RV 108-2-2500U	Kč	1	<b>2.155,89</b>
911108532500S	RV 108-3-2500S	Kč	1	<b>2.954,00</b>
911108532500T	RV 108-3-2500T	Kč	1	<b>2.954,00</b>
911108542500	RV 108-4-2500	Kč	1	<b>3.613,15</b>

## RV 108-500

Objednací číslo	Typ	Měna	Množství	Cena bezDPH
91110851500	RV 108-1-500	Kč	1	<b>697,15</b>
91110852500R	RV 108-2-500R	Kč	1	<b>917,32</b>
91110852500S	RV 108-2-500S	Kč	1	<b>917,32</b>
91110852500T	RV 108-2-500T	Kč	1	<b>917,32</b>
91110852500U	RV 108-2-500U	Kč	1	<b>917,32</b>
91110853500S	RV 108-3-500S	Kč	1	<b>1.380,66</b>
91110853500T	RV 108-3-500T	Kč	1	<b>1.380,66</b>
91110854500	RV 108-4-500	Kč	1	<b>1.722,32</b>

## RV 108-1000

Objednací číslo	Typ	Měna	Množství	Cena bezDPH
911108511000	RV 108-1-1000	Kč	1	<b>855,13</b>
911108521000R	RV 108-2-1000R	Kč	1	<b>1.190,54</b>
911108521000S	RV 108-2-1000S	Kč	1	<b>1.190,54</b>
911108521000T	RV 108-2-1000T	Kč	1	<b>1.190,54</b>
911108521000U	RV 108-2-1000U	Kč	1	<b>1.190,54</b>
911108531000S	RV 108-3-1000S	Kč	1	<b>1.749,62</b>
911108531000T	RV 108-3-1000T	Kč	1	<b>1.749,62</b>
911108541000	RV 108-4-1000	Kč	1	<b>2.125,55</b>

## RV 108-2000

Objednací číslo	Typ	Měna	Množství	Cena bezDPH
911108512000	RV 108-1-2000	Kč	1	<b>1.302,11</b>
911108522000R	RV 108-2-2000R	Kč	1	<b>1.900,45</b>
911108522000S	RV 108-2-2000S	Kč	1	<b>1.900,45</b>
911108522000T	RV 108-2-2000T	Kč	1	<b>1.900,45</b>
911108522000U	RV 108-2-2000U	Kč	1	<b>1.900,45</b>
911108532000S	RV 108-3-2000S	Kč	1	<b>2.570,85</b>
911108532000T	RV 108-3-2000T	Kč	1	<b>2.570,85</b>
911108542000	RV 108-4-2000	Kč	1	<b>3.119,27</b>



EU-poles s.r.o.

Hájová 15 | 691 41 Břeclav | IČ: 28337620 | DIČ: CZ28337620  
+420 725 410 839 | [info@eu-poles.cz](mailto:info@eu-poles.cz) | [www.eu-poles.cz](http://www.eu-poles.cz)

## RV 114-300

Objednáací číslo	Typ	Měna	Množství	Cena bezDPH
91111451300	RV 114-1-300	Kč	1	648,45
91111452300R	RV 114-2-300R	Kč	1	849,20
91111452300S	RV 114-2-300S	Kč	1	849,20
91111452300T	RV 114-2-300T	Kč	1	849,20
91111452300U	RV 114-2-300U	Kč	1	849,20
91111453300S	RV 114-3-300S	Kč	1	1.267,14
91111453300T	RV 114-3-300T	Kč	1	1.267,14
91111454300	RV 114-4-300	Kč	1	1.570,96

## RV 114-750

Objednáací číslo	Typ	Měna	Množství	Cena bezDPH
91111451750	RV 114-1-750	Kč	1	831,48
91111452750R	RV 114-2-750R	Kč	1	1.159,70
91111452750S	RV 114-2-750S	Kč	1	1.159,70
91111452750T	RV 114-2-750T	Kč	1	1.159,70
91111452750U	RV 114-2-750U	Kč	1	1.159,70
91111453750S	RV 114-3-750S	Kč	1	1.607,71
91111453750T	RV 114-3-750T	Kč	1	1.607,71
91111454750	RV 114-4-750	Kč	1	2.055,33

## RV 114-1500

Objednáací číslo	Typ	Měna	Množství	Cena bezDPH
911114511500	RV 114-1-1500	Kč	1	1.153,43
911114521500R	RV 114-2-1500R	Kč	1	1.670,56
911114521500S	RV 114-2-1500S	Kč	1	1.670,56
911114521500T	RV 114-2-1500T	Kč	1	1.670,56
911114521500U	RV 114-2-1500U	Kč	1	1.670,56
911114531500S	RV 114-3-1500S	Kč	1	2.268,73
911114531500T	RV 114-3-1500T	Kč	1	2.268,73
911114541500	RV 114-4-1500	Kč	1	2.778,53

## RV 114-2500

Objednáací číslo	Typ	Měna	Množství	Cena bezDPH
911114512500	RV 114-1-2500	Kč	1	1.461,04
911114522500R	RV 114-2-2500R	Kč	1	2.181,43
911114522500S	RV 114-2-2500S	Kč	1	2.181,43
911114522500T	RV 114-2-2500T	Kč	1	2.181,43
911114522500U	RV 114-2-2500U	Kč	1	2.181,43
911114532500S	RV 114-3-2500S	Kč	1	2.979,54
911114532500T	RV 114-3-2500T	Kč	1	2.979,54
911114542500	RV 114-4-2500	Kč	1	3.637,74

## RV 114-500

Objednáací číslo	Typ	Měna	Množství	Cena bezDPH
91111451500	RV 114-1-500	Kč	1	718,83
91111452500R	RV 114-2-500R	Kč	1	940,02
91111452500S	RV 114-2-500S	Kč	1	940,02
91111452500T	RV 114-2-500T	Kč	1	940,02
91111452500U	RV 114-2-500U	Kč	1	940,02
91111453500S	RV 114-3-500S	Kč	1	1.409,04
91111453500T	RV 114-3-500T	Kč	1	1.409,04
91111454500	RV 114-4-500	Kč	1	1.752,60

## RV 114-1000

Objednáací číslo	Typ	Měna	Množství	Cena bezDPH
911114511000	RV 114-1-1000	Kč	1	878,78
911114521000R	RV 114-2-1000R	Kč	1	1.215,13
911114521000S	RV 114-2-1000S	Kč	1	1.215,13
911114521000T	RV 114-2-1000T	Kč	1	1.215,13
911114521000U	RV 114-2-1000U	Kč	1	1.215,13
911114531000S	RV 114-3-1000S	Kč	1	1.778,00
911114531000T	RV 114-3-1000T	Kč	1	1.778,00
911114541000	RV 114-4-1000	Kč	1	2.153,93

## RV 114-2000

Objednáací číslo	Typ	Měna	Množství	Cena bezDPH
911114512000	RV 114-1-2000	Kč	1	1.328,59
911114522000R	RV 114-2-2000R	Kč	1	1.926,00
911114522000S	RV 114-2-2000S	Kč	1	1.926,00
911114522000T	RV 114-2-2000T	Kč	1	1.926,00
911114522000U	RV 114-2-2000U	Kč	1	1.926,00
911114532000S	RV 114-3-2000S	Kč	1	2.596,39
911114532000T	RV 114-3-2000T	Kč	1	2.596,39
911114542000	RV 114-4-2000	Kč	1	3.144,24



**EU-poles s.r.o.**

Hájová 15 | 691 41 Břeclav | IČ: 28337620 | DIČ: CZ28337620  
+420 725 410 839 | [info@eu-poles.cz](mailto:info@eu-poles.cz) | [www.eu-poles.cz](http://www.eu-poles.cz)

**PV 60-300**

Objednáací číslo	Typ	Měna	Množství	Cena bezDPH
91360151300	PV 60-1-300	Kč	1	<b>434,21</b>
91360152300R	PV 60-2-300R	Kč	1	<b>601,45</b>
91360152300S	PV 60-2-300S	Kč	1	<b>601,45</b>
91360152300T	PV 60-2-300T	Kč	1	<b>601,45</b>
91360152300U	PV 60-2-300U	Kč	1	<b>601,45</b>
91360153300T	PV 60-3-300T	Kč	1	<b>799,58</b>

**PV 60-750**

Objednáací číslo	Typ	Měna	Množství	Cena bezDPH
91360151750	PV 60-1-750	Kč	1	<b>564,16</b>
91360152750R	PV 60-2-750R	Kč	1	<b>942,83</b>
91360152750S	PV 60-2-750S	Kč	1	<b>942,83</b>
91360152750T	PV 60-2-750T	Kč	1	<b>942,83</b>
91360152750U	PV 60-2-750U	Kč	1	<b>942,83</b>
91360153750T	PV 60-3-750T	Kč	1	<b>1.280,81</b>

**PV 76-300**

Objednáací číslo	Typ	Měna	Množství	Cena bezDPH
91376151300	PV 76-1-300	Kč	1	<b>434,21</b>
91376152300R	PV 76-2-300R	Kč	1	<b>601,45</b>
91376152300S	PV 76-2-300S	Kč	1	<b>601,45</b>
91376152300T	PV 76-2-300T	Kč	1	<b>601,45</b>
91376152300U	PV 76-2-300U	Kč	1	<b>601,45</b>
91376153300T	PV 76-3-300T	Kč	1	<b>799,58</b>

**PV 76-750**

Objednáací číslo	Typ	Měna	Množství	Cena bezDPH
91376151750	PV 76-1-750	Kč	1	<b>564,16</b>
91376152750R	PV 76-2-750R	Kč	1	<b>942,83</b>
91376152750S	PV 76-2-750S	Kč	1	<b>942,83</b>
91376152750T	PV 76-2-750T	Kč	1	<b>942,83</b>
91376152750U	PV 76-2-750U	Kč	1	<b>942,83</b>
91376153750T	PV 76-3-750T	Kč	1	<b>1.280,81</b>

**PV 60-500**

Objednáací číslo	Typ	Měna	Množství	Cena bezDPH
91360151500	PV 60-1-500	Kč	1	<b>468,98</b>
91360152500R	PV 60-2-500R	Kč	1	<b>740,78</b>
91360152500S	PV 60-2-500S	Kč	1	<b>740,78</b>
91360152500T	PV 60-2-500T	Kč	1	<b>740,78</b>
91360152500U	PV 60-2-500U	Kč	1	<b>740,78</b>
91360153500T	PV 60-3-500T	Kč	1	<b>1.000,65</b>

**PV 60-1000**

Objednáací číslo	Typ	Měna	Množství	Cena bezDPH
913601511000	PV 60-1-1000	Kč	1	<b>686,38</b>
913601521000R	PV 60-2-1000R	Kč	1	<b>1.124,02</b>
913601521000S	PV 60-2-1000S	Kč	1	<b>1.124,02</b>
913601521000T	PV 60-2-1000T	Kč	1	<b>1.124,02</b>
913601521000U	PV 60-2-1000U	Kč	1	<b>1.124,02</b>
913601531000T	PV 60-3-1000T	Kč	1	<b>1.648,08</b>

**PV 76-500**

Objednáací číslo	Typ	Měna	Množství	Cena bezDPH
91376151500	PV 76-1-500	Kč	1	<b>468,98</b>
91376152500R	PV 76-2-500R	Kč	1	<b>740,78</b>
91376152500S	PV 76-2-500S	Kč	1	<b>740,78</b>
91376152500T	PV 76-2-500T	Kč	1	<b>740,78</b>
91376152500U	PV 76-2-500U	Kč	1	<b>740,78</b>
91376153500T	PV 76-3-500T	Kč	1	<b>1.000,65</b>

**PV 76-1000**

Objednáací číslo	Typ	Měna	Množství	Cena bezDPH
913761511000	PV 76-1-1000	Kč	1	<b>686,38</b>
913761521000R	PV 76-2-1000R	Kč	1	<b>1.124,02</b>
913761521000S	PV 76-2-1000S	Kč	1	<b>1.124,02</b>
913761521000T	PV 76-2-1000T	Kč	1	<b>1.124,02</b>
913761521000U	PV 76-2-1000U	Kč	1	<b>1.124,02</b>
913761531000T	PV 76-3-1000T	Kč	1	<b>1.648,08</b>

## OV 76-1000

Objednací číslo	Typ	Měna	Množství	Cena bezDPH
915761511000	OV76-1-1000	Kč	1	1.360,62
915761521000R	OV76-2-1000R	Kč	1	2.151,61
915761521000S	OV76-2-1000S	Kč	1	2.151,61
915761521000T	OV76-2-1000T	Kč	1	2.151,61
915761521000U	OV76-2-1000U	Kč	1	2.151,61
915761531000S	OV76-3-1000S	Kč	1	2.882,64
915761531000T	OV76-3-1000T	Kč	1	2.882,64
915761541000	OV76-4-1000	Kč	1	3.407,78

## OV 76-2000

Objednací číslo	Typ	Měna	Množství	Cena bezDPH
915761512000	OV76-1-2000	Kč	1	1.587,67
915761522000R	OV76-2-2000R	Kč	1	2.662,48
915761522000S	OV76-2-2000S	Kč	1	2.662,48
915761522000T	OV76-2-2000T	Kč	1	2.662,48
915761522000U	OV76-2-2000U	Kč	1	2.662,48
915761532000S	OV76-3-2000S	Kč	1	3.677,33
915761532000T	OV76-3-2000T	Kč	1	3.677,33
915761542000	OV76-4-2000	Kč	1	4.480,60

## OV 89-1000

Objednací číslo	Typ	Měna	Množství	Cena bezDPH
915891511000	OV89-1-1000	Kč	1	1.360,62
915891521000R	OV89-2-1000R	Kč	1	2.151,61
915891521000S	OV89-2-1000S	Kč	1	2.151,61
915891521000T	OV89-2-1000T	Kč	1	2.151,61
915891521000U	OV89-2-1000U	Kč	1	2.151,61
915891531000S	OV89-3-1000S	Kč	1	2.882,64
915891531000T	OV89-3-1000T	Kč	1	2.882,64
915891541000	OV89-4-1000	Kč	1	3.407,78

## OV 89-2000

Objednací číslo	Typ	Měna	Množství	Cena bezDPH
915891512000	OV89-1-2000	Kč	1	1.587,67
915891522000R	OV89-2-2000R	Kč	1	2.662,48
915891522000S	OV89-2-2000S	Kč	1	2.662,48
915891522000T	OV89-2-2000T	Kč	1	2.662,48
915891522000U	OV89-2-2000U	Kč	1	2.662,48
915891532000S	OV89-3-2000S	Kč	1	3.677,33
915891532000T	OV89-3-2000T	Kč	1	3.677,33
915891542000	OV89-4-2000	Kč	1	4.480,60

## OV 76-1500

Objednací číslo	Typ	Měna	Množství	Cena bezDPH
915761511500	OV76-1-1500	Kč	1	1.451,44
915761521500R	OV76-2-1500R	Kč	1	2.407,04
915761521500S	OV76-2-1500S	Kč	1	2.407,04
915761521500T	OV76-2-1500T	Kč	1	2.407,04
915761521500U	OV76-2-1500U	Kč	1	2.407,04
915761531500S	OV76-3-1500S	Kč	1	3.306,48
915761531500T	OV76-3-1500T	Kč	1	3.306,48
915761541500	OV76-4-1500	Kč	1	3.918,64

## OV 76-2500

Objednací číslo	Typ	Měna	Množství	Cena bezDPH
915761512500	OV76-1-2500	Kč	1	1.678,49
915761522500R	OV76-2-2500R	Kč	1	2.917,91
915761522500S	OV76-2-2500S	Kč	1	2.917,91
915761522500T	OV76-2-2500T	Kč	1	2.917,91
915761522500U	OV76-2-2500U	Kč	1	2.917,91
915761532500S	OV76-3-2500S	Kč	1	4.101,16
915761532500T	OV76-3-2500T	Kč	1	4.101,16
915761542500	OV76-4-2500	Kč	1	4.991,46

## OV 89-1500

Objednací číslo	Typ	Měna	Množství	Cena bezDPH
915891511500	OV89-1-1500	Kč	1	1.451,44
915891521500R	OV89-2-1500R	Kč	1	2.407,04
915891521500S	OV89-2-1500S	Kč	1	2.407,04
915891521500T	OV89-2-1500T	Kč	1	2.407,04
915891521500U	OV89-2-1500U	Kč	1	2.407,04
915891531500S	OV89-3-1500S	Kč	1	3.306,48
915891531500T	OV89-3-1500T	Kč	1	3.306,48
915891541500	OV89-4-1500	Kč	1	3.918,64

## OV 89-2500

Objednací číslo	Typ	Měna	Množství	Cena bezDPH
915891512500	OV89-1-2500	Kč	1	1.678,49
915891522500R	OV89-2-2500R	Kč	1	2.917,91
915891522500S	OV89-2-2500S	Kč	1	2.917,91
915891522500T	OV89-2-2500T	Kč	1	2.917,91
915891522500U	OV89-2-2500U	Kč	1	2.917,91
915891532500S	OV89-3-2500S	Kč	1	4.101,16
915891532500T	OV89-3-2500T	Kč	1	4.101,16
915891542500	OV89-4-2500	Kč	1	4.991,46



**EU-poles s.r.o.**

Hájová 15 | 691 41 Břeclav | IČ: 28337620 | DIČ: CZ28337620  
+420 725 410 839 | [info@eu-poles.cz](mailto:info@eu-poles.cz) | [www.eu-poles.cz](http://www.eu-poles.cz)

## OV 108-1000

Objednáací číslo	Typ	Měna	Množství	Cena bezDPH
9151081511000	OV108-1-1000	Kč	1	1.360,62
9151081521000R	OV 108-2-1000R	Kč	1	2.151,61
9151081521000S	OV 108-2-1000S	Kč	1	2.151,61
9151081521000T	OV 108-2-1000T	Kč	1	2.151,61
9151081521000U	OV 108-2-1000U	Kč	1	2.151,61
9151081531000S	OV 108-3-1000S	Kč	1	2.882,64
9151081531000T	OV 108-3-1000T	Kč	1	2.882,64
9151081541000	OV108-4-1000	Kč	1	3.407,78

## OV 108-2000

Objednáací číslo	Typ	Měna	Množství	Cena bezDPH
9151081512000	OV108-1-2000	Kč	1	1.587,67
9151081522000R	OV 108-2-2000R	Kč	1	2.662,48
9151081522000S	OV 108-2-2000S	Kč	1	2.662,48
9151081522000T	OV 108-2-2000T	Kč	1	2.662,48
9151081522000U	OV 108-2-2000U	Kč	1	2.662,48
9151081532000S	OV 108-3-2000S	Kč	1	3.677,33
9151081532000T	OV 108-3-2000T	Kč	1	3.677,33
9151081542000	OV108-4-2000	Kč	1	4.480,60

## OV 114-1000

Objednáací číslo	Typ	Měna	Množství	Cena bezDPH
9151141511000	OV114-1-1000	Kč	1	1.360,62
9151141521000R	OV 114-2-1000R	Kč	1	2.151,61
9151141521000S	OV 114-2-1000S	Kč	1	2.151,61
9151141521000T	OV 114-2-1000T	Kč	1	2.151,61
9151141521000U	OV 114-2-1000U	Kč	1	2.151,61
9151141531000S	OV 114-3-1000S	Kč	1	2.882,64
9151141531000T	OV 114-3-1000T	Kč	1	2.882,64
9151141541000	OV114-4-1000	Kč	1	3.407,78

## OV 114-2000

Objednáací číslo	Typ	Měna	Množství	Cena bezDPH
9151141512000	OV114-1-2000	Kč	1	1.587,67
9151141522000R	OV 114-2-2000R	Kč	1	2.662,48
9151141522000S	OV 114-2-2000S	Kč	1	2.662,48
9151141522000T	OV 114-2-2000T	Kč	1	2.662,48
9151141522000U	OV 114-2-2000U	Kč	1	2.662,48
9151141532000S	OV 114-3-2000S	Kč	1	3.677,33
9151141532000T	OV 114-3-2000T	Kč	1	3.677,33
9151141542000	OV114-4-2000	Kč	1	4.480,60

## OV 108-1500

Objednáací číslo	Typ	Měna	Množství	Cena bezDPH
9151081511500	OV108-1-1500	Kč	1	1.451,44
9151081521500R	OV 108-2-1500R	Kč	1	2.407,04
9151081521500S	OV 108-2-1500S	Kč	1	2.407,04
9151081521500T	OV 108-2-1500T	Kč	1	2.407,04
9151081521500U	OV 108-2-1500U	Kč	1	2.407,04
9151081531500S	OV 108-3-1500S	Kč	1	3.306,48
9151081531500T	OV 108-3-1500T	Kč	1	3.306,48
9151081541500	OV108-4-1500	Kč	1	3.918,64

## OV 108-2500

Objednáací číslo	Typ	Měna	Množství	Cena bezDPH
9151081512500	OV108-1-2500	Kč	1	1.678,49
9151081522500R	OV 108-2-2500R	Kč	1	2.917,91
9151081522500S	OV 108-2-2500S	Kč	1	2.917,91
9151081522500T	OV 108-2-2500T	Kč	1	2.917,91
9151081522500U	OV 108-2-2500U	Kč	1	2.917,91
9151081532500S	OV 108-3-2500S	Kč	1	4.101,16
9151081532500T	OV 108-3-2500T	Kč	1	4.101,16
9151081542500	OV108-4-2500	Kč	1	4.991,46

## OV 114-1500

Objednáací číslo	Typ	Měna	Množství	Cena bezDPH
9151141511500	OV114-1-1500	Kč	1	1.451,44
9151141521500R	OV 114-2-1500R	Kč	1	2.407,04
9151141521500S	OV 114-2-1500S	Kč	1	2.407,04
9151141521500T	OV 114-2-1500T	Kč	1	2.407,04
9151141521500U	OV 114-2-1500U	Kč	1	2.407,04
9151141531500S	OV 114-3-1500S	Kč	1	3.306,48
9151141531500T	OV 114-3-1500T	Kč	1	3.306,48
9151141541500	OV114-4-1500	Kč	1	3.918,64

## OV 114-2500

Objednáací číslo	Typ	Měna	Množství	Cena bezDPH
9151141512500	OV114-1-2500	Kč	1	1.678,49
9151141522500R	OV 114-2-2500R	Kč	1	2.917,91
9151141522500S	OV 114-2-2500S	Kč	1	2.917,91
9151141522500T	OV 114-2-2500T	Kč	1	2.917,91
9151141522500U	OV 114-2-2500U	Kč	1	2.917,91
9151141532500S	OV 114-3-2500S	Kč	1	4.101,16
9151141532500T	OV 114-3-2500T	Kč	1	4.101,16
9151141542500	OV114-4-2500	Kč	1	4.991,46



EU-poles s.r.o.

Hájová 15 | 691 41 Břeclav | IČ: 28337620 | DIČ: CZ28337620  
+420 725 410 839 | [info@eu-poles.cz](mailto:info@eu-poles.cz) | [www.eu-poles.cz](http://www.eu-poles.cz)



**VBS 60**

Objednáací číslo	Typ	Měna	Množství	Cena bezDPH
9193151200	VBS 60-200	Kč	1	<b>280,51</b>
9193151300	VBS 60-300	Kč	1	<b>392,86</b>
9193151500	VBS 60-500	Kč	1	<b>566,97</b>
9193151750	VBS 60-750	Kč	1	<b>731,80</b>
91931511000	VBS 60-1000	Kč	1	<b>883,20</b>
91931511250	VBS 60-1250	Kč	1	<b>975,10</b>
91931511500	VBS 60-1500	Kč	1	<b>1.101,00</b>

**VBS 190**

Objednáací číslo	Typ	Měna	Množství	Cena bezDPH
9193351200	VBS 190-200	Kč	1	<b>278,19</b>
9193351300	VBS 190-300	Kč	1	<b>385,43</b>
9193351500	VBS 190-500	Kč	1	<b>529,59</b>
9193351750	VBS 190-750	Kč	1	<b>716,16</b>
91933511000	VBS 190-1000	Kč	1	<b>861,87</b>
91933511250	VBS 190-1250	Kč	1	<b>952,07</b>
91933511500	VBS 190-1500	Kč	1	<b>1.082,51</b>

**VBS 100**

Objednáací číslo	Typ	Měna	Množství	Cena bezDPH
9193251200	VBS 100-200	Kč	1	<b>264,28</b>
9193251300	VBS 100-300	Kč	1	<b>368,05</b>
9193251500	VBS 100-500	Kč	1	<b>513,70</b>
9193251750	VBS 100-750	Kč	1	<b>697,99</b>
91932511000	VBS 100-1000	Kč	1	<b>841,44</b>
91932511250	VBS 100-1250	Kč	1	<b>936,17</b>
91932511500	VBS 100-1500	Kč	1	<b>1.054,13</b>



## DR

Objednáací číslo	Typ	Měna	Množství	Cena bezDPH
91860001	DR 60-1	Kč	1	<b>588,55</b>
91876001	DR 76-1	Kč	1	<b>662,19</b>
91889001	DR 89-1	Kč	1	<b>810,73</b>
918108001	DR 108-1	Kč	1	<b>852,17</b>
918114001	DR 114-1	Kč	1	<b>894,56</b>
91860002	DR 60-2	Kč	1	<b>1.042,77</b>
91876002	DR 76-2	Kč	1	<b>1.220,30</b>
91889002	DR 89-2	Kč	1	<b>1.340,66</b>
918108002	DR 108-2	Kč	1	<b>1.396,44</b>
918114002	DR 114-2	Kč	1	<b>1.443,41</b>
91876003	DR 76-3	Kč	1	<b>1.244,90</b>
91889003	DR 89-3	Kč	1	<b>1.367,15</b>
918108003	DR 108-3	Kč	1	<b>1.423,50</b>
918114003	DR 114-3	Kč	1	<b>1.470,84</b>
91876004	DR 76-4	Kč	1	<b>1.374,76</b>
91889004	DR 89-4	Kč	1	<b>1.507,00</b>
918108004	DR 108-4	Kč	1	<b>1.566,35</b>
918114004	DR 114-4	Kč	1	<b>1.615,69</b>
91889005	DR 89-5	Kč	1	<b>1.559,97</b>
918108005	DR 108-5	Kč	1	<b>1.620,46</b>
918114005	DR 114-5	Kč	1	<b>1.670,56</b>

## DRT

91876003T	DRT 76	Kč	1	<b>1.612,65</b>
91889003T	DRT 89	Kč	1	<b>1.641,03</b>
918108003T	DRT 108	Kč	1	<b>1.669,41</b>
918114003T	DRT 114	Kč	1	<b>1.697,79</b>

## DRC

91876004C	DRC 76	Kč	1	<b>1.671,23</b>
91889004C	DRC 89	Kč	1	<b>1.727,99</b>
918108004C	DRC 108	Kč	1	<b>1.784,75</b>
918114004C	DRC 114	Kč	1	<b>1.841,52</b>



**EU-poles s.r.o.**

Hájová 15 | 691 41 Břeclav | IČ: 28337620 | DIČ: CZ28337620  
+420 725 410 839 | [info@eu-poles.cz](mailto:info@eu-poles.cz) | [www.eu-poles.cz](http://www.eu-poles.cz)

